

# PARTS LIST

[XV-M52SL]

[XV-M50BK]

\* All printed circuit boards and its assemblies are not available as service parts.

[XV-M52SL]

**Area Suffix**

B ----- U.K.

EN ---- Northern Europe

UN ----- Asean

US ----- Singapore

UW -- Brazil,Mexico,Peru

[XV-M50BK]

**Area Suffix**

UJ -----U.S. military

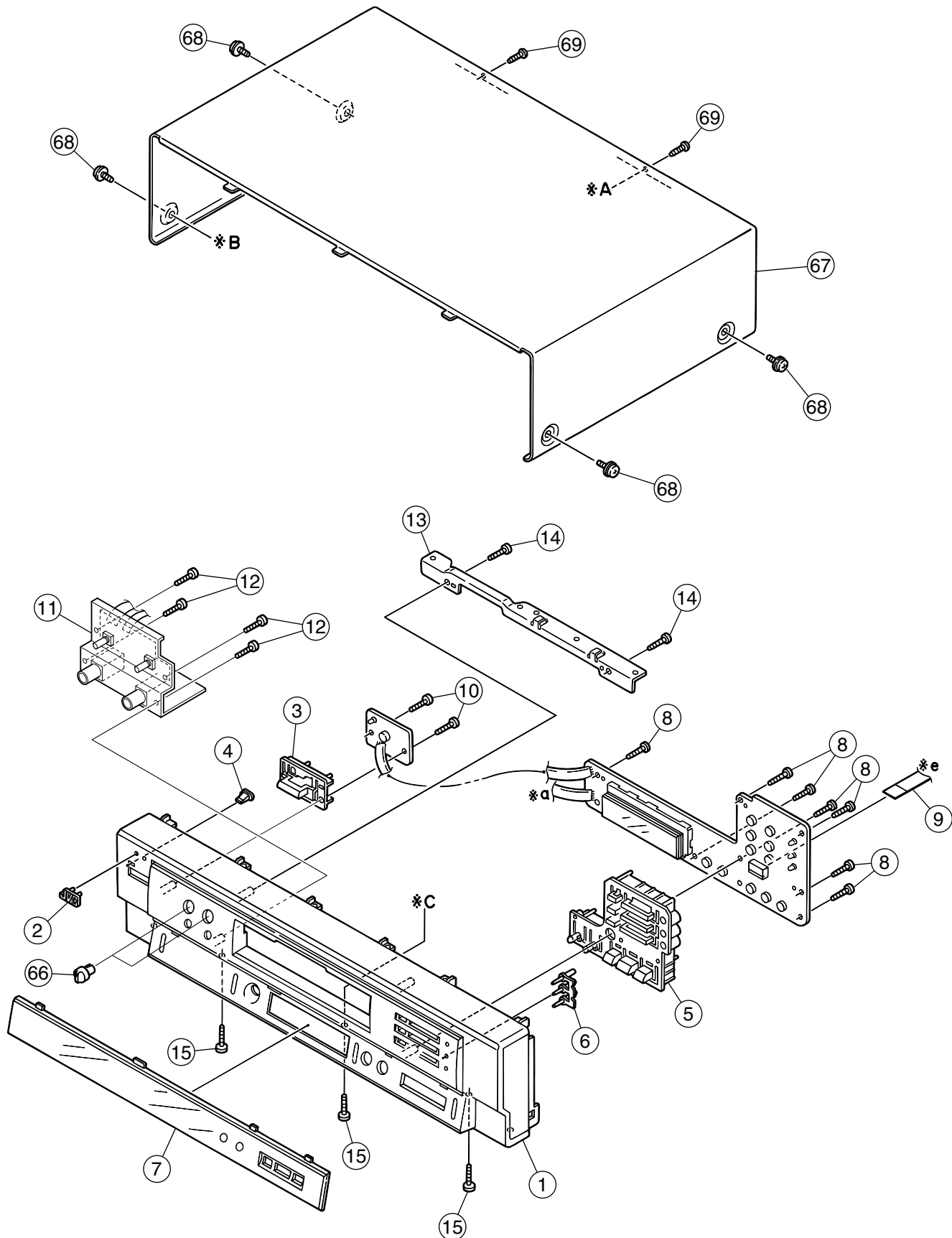
## - Contents -

Exploded view of general assembly and parts list .....	3-2
DVD changer mechanism assembly and parts list .....	3-6
DVD Mechanism assembly and parts list .....	3-8
Electrical parts list .....	3-10
Packing materials and accessories parts list .....	3-19

# Exploded view of general assembly and parts list

■ Exploded view of general assembly 1/2

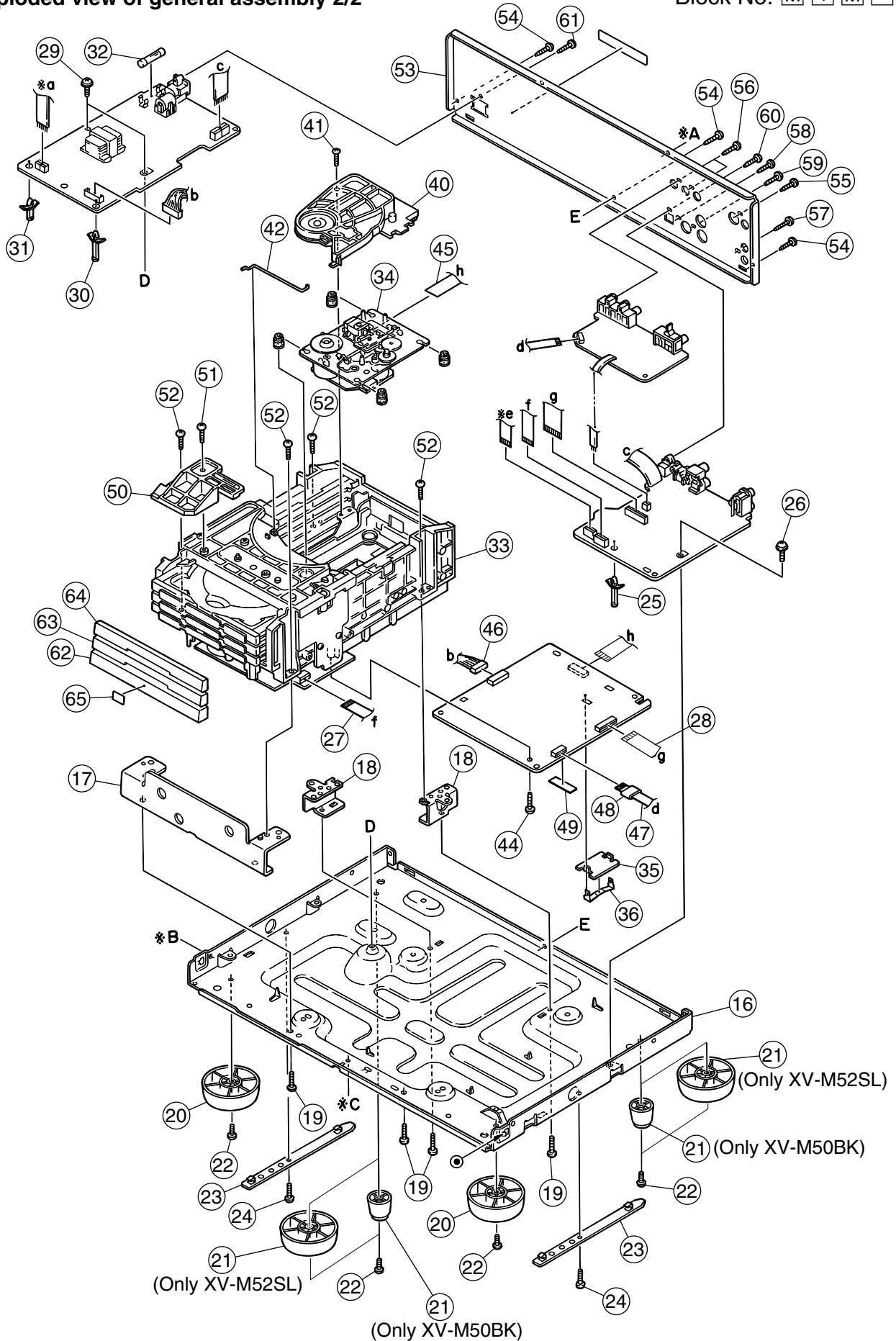
Block No. M 1 M M



# Exploded view of general assembly and parts list

## ■ Exploded view of general assembly 2/2

Block No. M 1 M M



## ■ Parts list (General assembly)1/2

Block No. M1MM

△	Item	Parts number	Parts name	Q'ty	Description	Area
	1	LE10246-012A	FRONT PANEL	1		B,EN
		LE10246-010A	FRONT PANEL	1		UJ
		LE10246-013A	FRONT PANEL	1		UN,US,UW
	2	VJD5429-002SS	JVC MARK	1		EN,UN,US,UW,B
		VJD5429-001SS	JVC MARK	1		UJ
	3	LE20522-002A	PUSH BUTTON	1		B,EN,UN,US,UW
		LE20522-001A	PUSH BUTTON	1		UJ
	4	LE40745-001A	INDICATOR	1		
	5	LE20521-002A	PUSH BUTTON	1		B,EN,UN,US,UW
		LE20521-001A	PUSH BUTTON	1		UJ
	6	LE30889-001A	INDICATOR	1		
	7	LE20523-005A	WINDOW SCREEN	1		B,EN
		LE20523-004A	WINDOW SCREEN	1		UJ
		LE20523-006A	WINDOW SCREEN	1		UN,US,UW
	8	QYSDFS2608Z	SCREW	7		
	9	QUQ412-0920CM	FFCWIRE	1		
	10	QYSDFS2608Z	SCREW	2		
	11	LE30890-001A	BKT(MIC)	1		UN,US,UW
	12	QYSDFS2608Z	SCREW	4		UN,US,UW
	13	LE30924-001A	BKT(FRONT)	1		
	14	QYSDFS2608Z	SCREW	2		
	15	QYSDSG3008M	SCREW	3		
	16	E103006-007SM	CD CHASSIS BASE	1		
	17	LE30901-001A	BKT(MECHA-F)	1	FRONT	
	18	LE30902-001A	BKT(MECHA-R)	2	REAR	
	19	QYSBST3008Z	T.SCREW	4	MECHA BKT	
	20	QZF6018-003	FOOT	2	FRONT	B,EN,UN,US,UW
		QZF6018-001	FOOT	2	FRONT	UJ
	21	QZF6018-003	FOOT	2	REAR	B,EN,UN,US,UW
		E47227-036	FOOT	2	REAR	UJ
	22	QYSBST3008Z	T.SCREW	4	FOOT	
	23	LV31244-002A	SPACER	2	SAFETY	
	24	QYSDSG3008M	SCREW	2	SPACER	
	25	E310244-002	FASTENER	1	AUDIO CB	
	26	QYSBSGG3008E	T.SCREW	1	AUDIO CB	
	27	QUQ412-1020CM	FFCWIRE	1	CN702-C5	
	28	QUQ110-1716AM	FFCWIRE	1	CN701-C5	
	29	QYSBSGG3008E	T.SCREW	2	POWER CB	
	30	E310244-002	FASTENER	1	POWER CB	
	31	E310244-003	FASTNER	1	POWER CB	
△	32	QMF51E2-1R6-J1	FUSE	1	F 901	B,EN,UN,US,UW
△		QMF51U1-1R6-J8	FUSE	1	F 901	UJ
	33	-----	DVD 3CHANGER LO	1		
	34	-----	DVD TRAVERSE ME	1		
	35	LV41362-001A	HEAT SINK	1		
	36	LV41363-002A	HOLDER	1		
	40	VKS3703-00K	CLAMPER ASS'Y			

## ■ Parts list (General assembly)2/2

Block No. M1MM

△	Item	Parts number	Parts name	Q'ty	Description	Area
	41	QYSPST2606Z	SCREW	1		
	42	VKW5187-001	ROD	1		
	44	QYSBSF3008Z	SCREW	1	MODULE CB	
	45	QUQ105-4010AJ	FFCWIRE	1		
	46	QJJ015-091406	SIN CR C-CWIRE	1	TO CN961	
	47	QUQ110-0918AM	FFCWIRE	1	TO CN601	
	48	QQR1120-001	FERRITE CORE	1		BEN,UN,US,UW
	49	LV30225-059A	SPACER	1		BEN,UN,US,UW
	50	E309662-001SM	DISC STOPPER	1		
	51	QYSBSF3008Z	SCREW	1	DISC STOPP	
	52	QYSBST3008Z	T.SCREW	4	C3 MECHA	
	53	LV20821-031A	REAR PANEL	1		BEN
		LV20821-029A	REAR PANEL	1		UJ
		LV20821-034A	REAR PANEL	1		UN,US
		LV20821-037A	REAR PANEL	1		UW
	54	QYSBSGY3008E	SPECIAL SCREW	3	REAR PANEL	
	55	QYSBSGY3008E	SPECIAL SCREW	1	VIDEO OUT	
	56	QYSBSGY3008E	SPECIAL SCREW	2	AV OUT	
	57	QYSBSGY3008E	SPECIAL SCREW	1	COMPU.LINK	
	58	QYSBSGY3008E	SPECIAL SCREW	1	COAXIAL	
	59	QYSBSGY3008E	SPECIAL SCREW	1	AUDIO OUT	
	60	QYSBSGY3008E	SPECIAL SCREW	1	OPTICAL OUT	
	61	QYSBSGY3008E	SPECIAL SCREW	1	AC OUTLET	
	62	LE20524-002A	FITTING(DISC1)	1	LOWER	BEN,UN,US,UW
		LE20524-001A	FITTING(DISC1)	1	LOWER	UJ
	63	LE20525-002A	FITTING(DISC2)	1	CENTER	BEN,UN,US,UW
		LE20525-001A	FITTING(DISC2)	1	CENTER	UJ
	64	LE20526-002A	FITTING(DISC3)	1	UPPER	BEN,UN,US,UW
		LE20526-001A	FITTING(DISC3)	1	UPPER	UJ
	65	LE40757-202A	MARK	1	DVD-VIDEO	BEN,UN,US,UW
		LE40757-201A	MARK	1	DVD-VIDEO	UJ
	66	LV40061-004A	KNOB	2		UN,US,UW
	67	LV20009-313A/S/	METAL COVER	1		BEN,UN,US,UW
		LV20009-311A/S/	METAL COVER	1		UJ
	68	E406308-004	SPECIAL SCREW	4	M.C. SIDE	BEN,UN,US,UW
		E406308-003	SPECIAL SCREW	4	M.C. SIDE	UJ
	69	QYSBSGY3008E	SPECIAL SCREW	2	M.C. REAR	

# DVD changer mechanism assembly and parts list

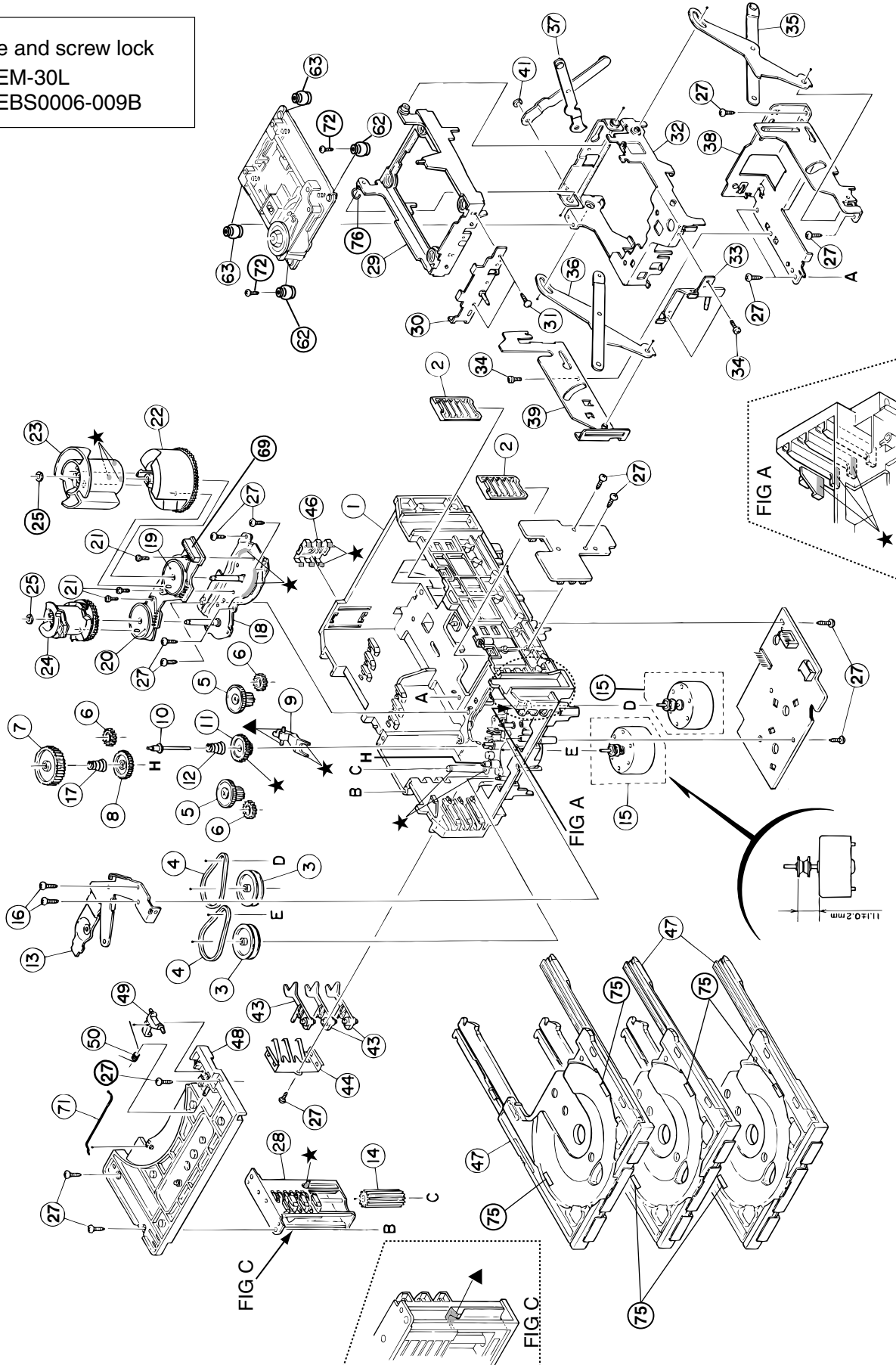
FLM-C5-3M

Block No. M 2 M M

Grease and screw lock

★ EM-30L

▲ EBS0006-009B



**Parts list (DVD changer mechanism)**

Block No. M2MM

△	Item	Parts number	Parts name	Q'ty	Description	Area
	1	VKS1144-003	CHASSIS	1		
	2	VKS3698-003	TRAY GUIDE	2		
	3	VKS5532-003	PULLEY GEAR	2		
	4	VKB3000-164	BELT	2		
	5	VKS5505-003	GEAR B	2		
	6	VKS5506-002	GEAR C	3		
	7	VKS5507-002	CROSS GEAR U	1		
	8	VKS5508-002	CROSS GEAR L	1		
	9	VKS5510-003	SELECT LEVER	1		
	10	VKH5769-001	S.G.SHAFT	1		
	11	VKS5511-002	SELECT GEAR	1		
	12	VKW5155-003	COMP.SPRING	1	FOR SELECT GEAR	
	13	VKM3846-002	GEAR BRACKET	1		
	14	VKS5509-002MM	CYLINDER GEAR	1		
	15	MSN-5D257A-SA2	D.C.MOTOR	2		
	16	QYSPSPD2616Z	SCREW	2	FOR MOTOR	
	17	LV40612-001A	COMP.SPRING	1		
	18	VKM3825-00AMM	C.G.BASE ASS'Y	1		
	19	VKZ3172-00ASS	CAM SW. R ASS'Y	1		
	20	VKZ3173-00ASS	CAM SW. L ASS'Y	1		
	21	QYSPST2606Z	SCREW	3	FOR CAM SW.	
	22	VKS2263-002MM	CAM R1	1		
	23	VKS2264-002MM	CAM R2	1		
	24	VKS2265-002MM	CAM GEAR L	1		
	25	WDL316050MM	SLIT WASHER	2		
	27	QYSBSF2608Z	T.SCREW	16	FOR C.GEAR BASE	
	28	VKS3702-00FMM	DRIVE UNIT	1		
	29	LV20466-001A	MECHA HOLDER A	1		
	30	VKL7767-00C	BRACKET ASSY	1		
	31	QYSBSF2606Z	SCREW	2	FOR BRACKET	
	32	VKM3860-00B	MCHA HOLDER ASS	1		
	33	VKL7802-00C	M.HOLDER C ASS'Y	1		
	34	QYSDST2604Z	SCREW	3	FOR M.HOLDER C	
	35	VKL7810-00A	LIFTER ASS'Y R	1		
	36	VKL7811-00A	LIFTER ASS'Y L	1		
	37	VKL7812-00A	LIFTER ASS'Y H	1		
	38	VKL2732-002	LIFTER BASE	1		
	39	VKM3857-001	LIFTER BRACKET	1		
	41	WDL266035-2	SLIT WASHER	1		
	43	VKS5514-002MM	LOCK LEVER	3		
	44	VKY3133-002MM	RETURN SPRING	1		
	46	VKY3134-003MM	CLICK SPRING	1		
	47	VKS2252-00F	TRAY ASS'Y	3		
	48	VKS2250-003	TOP BRACKET	1		
	49	VKS5515-002	S.TRAY STOPPER	1		
	50	VKW5156-004	TORSION SPRING	1		
	62	LV41120-001A	INSULATOR	2		
	63	LV41120-002A	INSULATOR	2		
	69	QGB2012J1-10	CONNECTOR	1		
	71	VKW5187-001	ROD	1		
	72	LV41119-001A	SPECIAL SCREW	2		
	75	LV41568-002A	SHEET	6		
	76	LV41571-001A	SPACER	1		

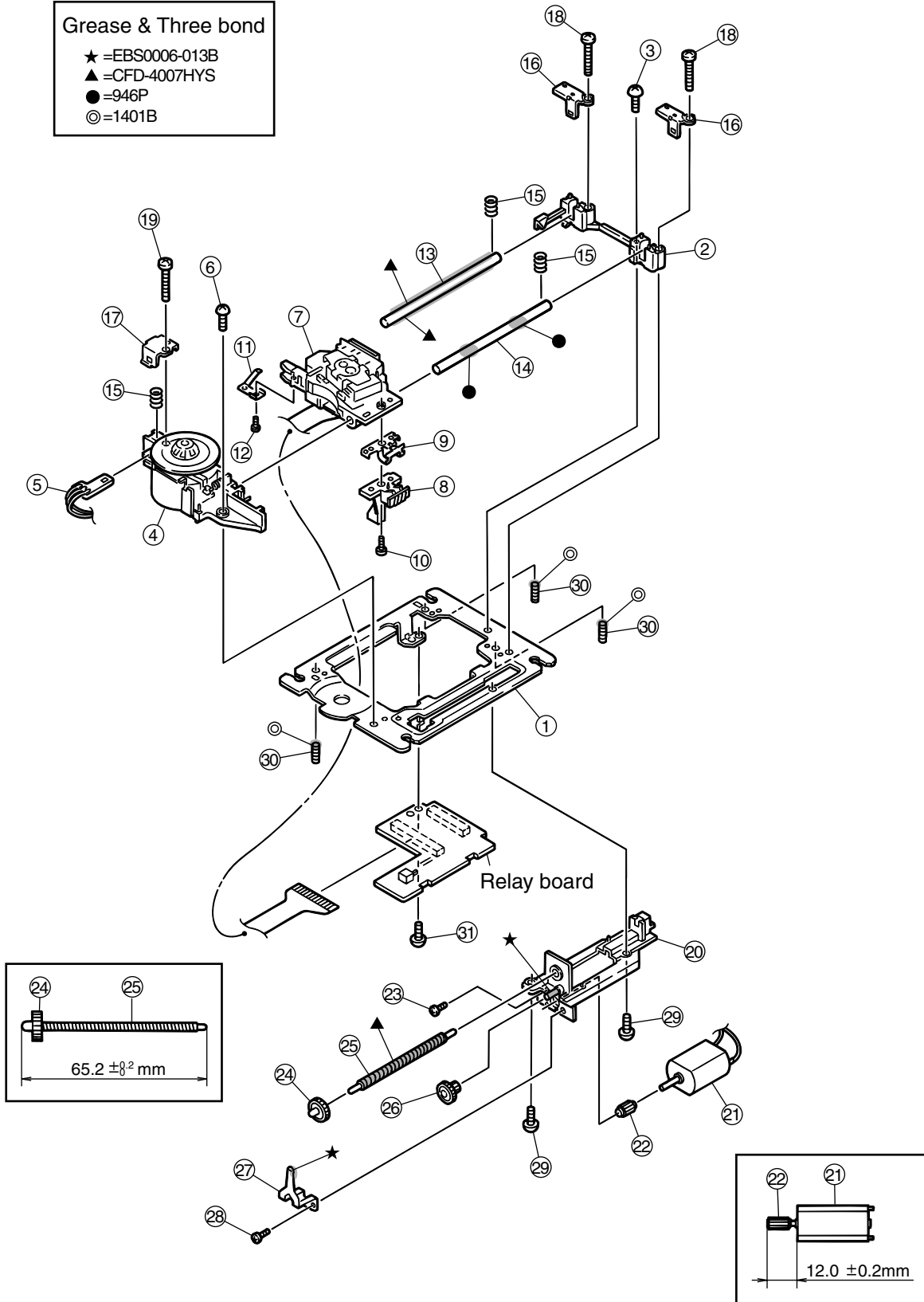
# DVD Mechanism assembly and parts list

Block No. M 3 M M

FXL-V62-1M

**Grease & Three bond**

- ★ =EBS0006-013B
- ▲ =CFD-4007HYS
- =946P
- ◎ =1401B





## ■ Parts list (DVD mechanism)

Block No.M3MM

△	Item	Parts number	Parts name	Q'ty	Description	Area
	1	LV20638-001A	MECHA BASE	1		
	2	LV20635-001A	SHAFT HOLDER	1		
	3	QYSBST2606M	T.SCREW	1		
	4	VDG1099001TSVME	SP.MOTOR ASS'Y	1		
	5	QUM193-08B2B2	PARA RIBON WIRE	1		
	6	QYSBST2606M	T.SCREW	1	FOR S.BASE&M.BASE	
	7	OPTIMA-2010B1	DVD PICKUP	1		
	8	LV31670-001A	SWITCH ACTUATOR	1		
	9	LV31666-002A	LEAD SPRING	1		
	10	QYSPSGT2040M	SCREW	1		
	11	LV31743-002A	P.U.SPRING	1		
	12	QYSPSGT1416M	MINI SCREW	1		
	13	LV41121-002A	SHAFT	1	MAIN SHAFT	
	14	LV41121-002A	SHAFT	1	SUB SHAFT	
	15	LV41732-001A	SPRING	3		
	16	LV31669-001A	SHAFT STOPPER R	2		
	17	LV31668-001A	SHAFT STOPPER F	1		
	18	QYSPST2614M	SCREW	2	FOR STOPPER R	
	19	QYSPST2614M	SCREW	1	FOR STOPPER F	
	20	LV31746-003A	FEED HOLDER ASY	1		
	21	QAR0127-001	FEED MOTOR	1		
	22	LV41510-001A	FEED GEAR T	1		
	23	QYSPSPU2040M	SCREW	1	FOR FEED MOTOR	
	24	LV41512-001A	FEED GEAR E	1		
	25	LV41517-001A	LEAD SCREW	1		
	26	LV41511-002A	FEED GEAR M	1		
	27	LV31667-001A	THRUST SPRING	1		
	28	QYSPSPU2040M	SCREW	1	FOR FEED MOTOR	
	29	QYSBST2606M	T.SCREW	2	FOR FEED HOLDER	
	30	QYYASPF2608N	HEX SCREW	3	FOR TILT ADJUST	
	31	QYSBST2606M	T.SCREW	1	FOR PW BOARD	

# Electrical parts list

■ Electrical parts list (Main board)

Block No. 01

△	Item	Parts number	Parts name	Remarks	Area	△	Item	Parts number	Parts name	Remarks	Area
	BK801	E308192-001	FL HOLDER				C 761	QETN1CM-107Z	E CAPACITOR	100MF 20% 16V	
	C 601	NCS31HJ-471X	C CAPACITOR				C 762	QETN1CM-107Z	E CAPACITOR	100MF 20% 16V	
	C 603	NCS31HJ-221X	C.CAPA. C.M				C 771	QETN1CM-107Z	E CAPACITOR	100MF 20% 16V	
	C 604	NCS31HJ-470X	C.CAPA. C.M				C 772	QETN1CM-107Z	E CAPACITOR	100MF 20% 16V	
	C 609	QETN0JM-477Z	E CAPACITOR	470MF 20% 6.3V			C 789	QCZ0205-155Z	ML C CAPACITOR	1.5MF	
	C 611	NCS31HJ-471X	C CAPACITOR				C 797	NCB31HK-103X	C CAPACITOR		
	C 613	NCS31HJ-221X	C.CAPA. C.M				C 799	NCB31HK-103X	C CAPACITOR		UN,US,UW
	C 614	NCS31HJ-470X	C.CAPA. C.M				C 801	NCB31CK-104X	C CAPACITOR		
	C 619	QETN0JM-477Z	E CAPACITOR	470MF 20% 6.3V			C 802	QEK1AM-476Z	E.CAPACITOR	47MF 20% 10V	
	C 621	NCS31HJ-471X	C CAPACITOR				C 811	NCB31CK-104X	C CAPACITOR		
	C 623	NCS31HJ-221X	C.CAPA. C.M				C 812	QEK0JM-476Z	E.CAPACITOR	47MF 20% 6.3V	
	C 624	NCS31HJ-470X	C.CAPA. C.M				C 813	NCB31CK-104X	C CAPACITOR		
	C 629	QETN0JM-477Z	E CAPACITOR	470MF 20% 6.3V			C 814	NCS31HJ-220X	C CAPACITOR		
	C 631	NCS31HJ-471X	C CAPACITOR				C 821	QEK1HM-475Z	E.CAPACITOR	4.7MF 20% 50V	
	C 633	NCS31HJ-221X	C.CAPA. C.M				C 851	NCS31HJ-331X	C.CAPA. C.M		UN,US,UW
	C 634	NCS31HJ-470X	C.CAPA. C.M				C 852	NCS31HJ-331X	C.CAPA. C.M		UN,US,UW
	C 639	NCB31CK-104X	C CAPACITOR				C 853	QETN1HM-105Z	E CAPACITOR	1.0MF 20% 50V	UN,US,UW
	C 649	QETN0JM-477Z	E CAPACITOR	470MF 20% 6.3V			C 854	QETN1HM-105Z	E CAPACITOR	1.0MF 20% 50V	UN,US,UW
	C 659	QETN0JM-477Z	E CAPACITOR	470MF 20% 6.3V			C 855	NCS31HJ-561X	C CAPACITOR		UN,US,UW
	C 685	NCS31HJ-471X	C CAPACITOR		B,EN		C 856	NCS31HJ-561X	C CAPACITOR		UN,US,UW
	C 686	NCS31HJ-471X	C CAPACITOR		B,EN		C 857	NCS31HJ-220X	C CAPACITOR		UN,US,UW
	C 694	QETN0JM-477Z	E CAPACITOR	470MF 20% 6.3V	B,EN		C 858	NCS31HJ-220X	C CAPACITOR		UN,US,UW
	C 700	NCS31HJ-101X	C.CAPA. C.M				C 859	QETN1HM-474Z	E CAPACITOR	.47MF 20% 50V	UN,US,UW
	C 701	QETN1HM-105Z	E CAPACITOR	1.0MF 20% 50V			C 860	QETN1HM-474Z	E CAPACITOR	.47MF 20% 50V	UN,US,UW
	C 702	NCB31CK-104X	C CAPACITOR				C 861	NCB31CK-104X	C CAPACITOR		UN,US,UW
	C 703	QETN1CM-226Z	E CAPACITOR	22MF 20% 16V			C 862	NCB31CK-104X	C CAPACITOR		UN,US,UW
	C 705	NCB31CK-104X	C CAPACITOR				C 863	QETN1CM-107Z	E CAPACITOR	100MF 20% 16V	UN,US,UW
	C 706	QFV1HJ-104Z	MF CAPACITOR	.10MF 5% 50V			C 864	QETN1CM-107Z	E CAPACITOR	100MF 20% 16V	UN,US,UW
	C 707	QETN0JM-107Z	E CAPACITOR	100MF 20% 6.3V			C 865	NCB31CK-104X	C CAPACITOR		UN,US,UW
	C 709	NCS31HJ-331X	C.CAPA. C.M				C 871	QEK1HM-105Z	E.CAPACITOR	1.0MF 20% 50V	UN,US,UW
	C 710	QETN1AM-477Z	E CAPACITOR	470MF 20% 10V			C 872	NCS31HJ-101X	C.CAPA. C.M		UN,US,UW
	C 711	QCZ0205-155Z	ML C CAPACITOR	1.5MF			C 873	NCS31HJ-820X	C CAPACITOR		UN,US,UW
	C 714	QETN0JM-477Z	E CAPACITOR	470MF 20% 6.3V			C 875	NCB31CK-473X	C CAPACITOR		UN,US,UW
	C 716	QETN0JM-477Z	E CAPACITOR	470MF 20% 6.3V			C 876	NCB31CK-473X	C CAPACITOR		UN,US,UW
	C 717	QCZ0205-155Z	ML C CAPACITOR	1.5MF			C 877	QEK1CM-476Z	E.CAPACITOR	47MF 20% 16V	UN,US,UW
	C 718	QETN0JM-477Z	E CAPACITOR	470MF 20% 6.3V			C 878	QEK1CM-476Z	E.CAPACITOR	47MF 20% 16V	UN,US,UW
	C 719	NCS31HJ-101X	C.CAPA. C.M		UN,US,UW	△	C 902	QFZ9075-683	M CAPACITOR	.068MF	
	C 720	NCB31CK-104X	C CAPACITOR				C 905	QCZ9079-102	C CAPACITOR	1000PF	
	C 725	QETN1CM-477Z	E CAPACITOR	470MF 20% 16V			C 906	QCZ9079-102	C CAPACITOR	1000PF	
	C 726	QETN1CM-227Z	E CAPACITOR	220MF 20% 16V		△	C 907	QEZ0522-826	E.CAPACITOR	82MF	B,EN
	C 727	QETN1AM-227Z	E CAPACITOR	220MF 20% 10V		△	C 907	QEZ0522-127	E.CAPACITOR	120MF	UJ,UN,US,UW
	C 728	QETN1AM-107Z	E CAPACITOR	100MF 20% 10V			C 908	NZZ000000000500	C CAPACITOR		
	C 730	QFV1HJ-224Z	MF CAPACITOR	.22MF 5% 50V			C 909	NZZ000000000499	C CAPACITOR		
	C 731	NCB31HK-103X	C CAPACITOR				C 910	NCS31HJ-221X	C.CAPA. C.M		
	C 735	NCB31CK-104X	C CAPACITOR				C 913	NZZ000000000499	C CAPACITOR		
	C 736	NCB31CK-104X	C CAPACITOR				C 914	QEZ0532-396Z	E CAPACITOR	39MF	
	C 737	QETN1EM-226Z	E CAPACITOR	22MF 20% 25V	B,EN		C 915	QCB1HK-471Y	C CAPACITOR	470PF 10% 50V	
	C 738	QETN1EM-226Z	E CAPACITOR	22MF 20% 25V	B,EN		C 916	QCZ9079-332	C CAPACITOR	3300PF	
	C 739	QFN31HJ-822Z	M CAPACITOR	8200PF 5% 50V	UN,US,UW		C 917	NCS31HJ-101X	C.CAPA. C.M		UJ,UN,US,UW
	C 740	QFN31HJ-102Z	M CAPACITOR	1000PF 5% 50V			C 918	QCFB1HZ-104Y	C CAPACITOR	.10MF +80%-20%	
	C 741	QFN31HJ-221Z	M.CAPA. I.M	220PF 5% 50V			C 931	NCB31CK-223X	C CAPACITOR		
	C 742	QFN31HJ-333Z	M.CAPACITOR	.033MF 5% 50V			C 932	NCS31HJ-101X	C.CAPA. C.M		UN,US,UW
	C 744	QFN31HJ-681Z	M.CAPA. I.M	680PF 5% 50V			C 951	NCS31HJ-101X	C.CAPA. C.M		
	C 745	QFN31HJ-103Z	M CAPACITOR	.010MF 5% 50V			C 952	NCS31HJ-101X	C.CAPA. C.M		
	C 746	QETN1EM-226Z	E CAPACITOR	22MF 20% 25V			C 953	NCS31HJ-101X	C.CAPA. C.M		
	C 747	QFN31HJ-222Z	M CAPACITOR	2200PF 5% 50V			C 954	NCS31HJ-101X	C.CAPA. C.M		
	C 749	QFN31HJ-822Z	M CAPACITOR	8200PF 5% 50V	UN,US,UW		C 956	NCS31HJ-101X	C.CAPA. C.M		
	C 750	QFN31HJ-102Z	M CAPACITOR	1000PF 5% 50V			C 957	NCS31HJ-101X	C.CAPA. C.M		
	C 751	QFN31HJ-221Z	M.CAPA. I.M	220PF 5% 50V			C 960	QEZ0529-826Z	E CAPACITOR	82MF	
	C 752	QFN31HJ-333Z	M.CAPACITOR	.033MF 5% 50V			C 961	NCB31CK-104X	C CAPACITOR		
	C 754	QFN31HJ-681Z	M.CAPA. I.M	680PF 5% 50V			C 962	QETN1HM-226Z	E CAPACITOR	22MF 20% 50V	
	C 755	QFN31HJ-103Z	M CAPACITOR	.010MF 5% 50V			C 963	QEZ0533-396Z	E CAPACITOR	39MF	
	C 756	QETN1EM-226Z	E CAPACITOR	22MF 20% 25V			C 964	QETN1HM-226Z	E CAPACITOR	22MF 20% 50V	
	C 757	QFN31HJ-222Z	M CAPACITOR	2200PF 5% 50V			C 965	QEZ0528-108	E CAPACITOR	1000MF	

■ Electrical parts list (Main board)

Block No. 01

△	Item	Parts number	Parts name	Remarks	Area	△	Item	Parts number	Parts name	Remarks	Area
	C 966	QETN1AM-477Z	E CAPACITOR	470MF 20% 10V			D 910	F1T4-T2	FR DIODE		
	C 967	NCB31CK-104X	C CAPACITOR				D 911	1SS133-T2	SI DIODE IM		
	C 968	NCB31CK-104X	C CAPACITOR				D 950	MTZJ22C-T2	ZENER DIODE		
	C 969	QETN1AM-227Z	E CAPACITOR	220MF 20% 10V			D 951	F1T4-T2	FR DIODE		
	C 970	NCB31CK-104X	C CAPACITOR				D 952	F1T4-T2	FR DIODE		
	C 973	QETN1AM-107Z	E CAPACITOR	100MF 20% 10V			D 953	FMB-24	FUSEIODE		
	C 974	QETN1AM-107Z	E CAPACITOR	100MF 20% 10V			D 954	F1T4-T2	FR DIODE		
	C 976	NCB31CK-104X	C CAPACITOR				D 956	F1T4-T2	FR DIODE		
	C 977	NCB31CK-104X	C CAPACITOR				D 957	F1T4-T2	FR DIODE		
	C 978	QETN1AM-107Z	E CAPACITOR	100MF 20% 10V			D 960	MTZJ2.0A-T2	ZENER DIODE		
	C 979	QEZ0530-827	E CAPACITOR	820MF			D 970	1SS133-T2	SI DIODE IM		
	C 981	NCB31CK-104X	C CAPACITOR				D 972	1SS133-T2	SI DIODE IM		
	C 982	QEZ0531-567	E CAPACITOR	560MF			D 973	1SS133-T2	SI DIODE IM		
	C 984	QETN1EM-227Z	E CAPACITOR	220MF 20% 25V			D 974	1SS133-T2	SI DIODE IM		
	C 987	QEZ0532-187Z	E CAPACITOR	180MF			D 991	MTZJ5.1A-T2	ZENER DIODE		
	C 989	QETN1EM-107Z	E CAPACITOR	100MF 20% 25V			DI801	QLF0064-001	FL TUBE		
	C 992	QETN1HM-474Z	E CAPACITOR	.47MF 20% 50V			EP711	QNZ0136-001Z	EARTH PLATE		
	C 993	NCS31HJ-101X	C.CAPA. C.M				EP951	QNZ0136-001Z	EARTH PLATE		
	C 994	NCB31EK-223X	C CAPACITOR				FC901	QNG0003-001Z	FUSE CLIP		
	C 995	QETN1CM-227Z	E CAPACITOR	220MF 20% 16V			FC902	QNG0003-001Z	FUSE CLIP		
	C 996	QETN1CM-226Z	E CAPACITOR	22MF 20% 16V			FL901	LV41385-010A	FUSE LABEL		
	C 997	QETN1CM-227Z	E CAPACITOR	220MF 20% 16V			FW601	QUM133-10DGZ4	PARA RIBON WIRE	TO CN704	
	C1701	QETN1EM-476Z	E CAPACITOR	47MF 20% 25V			FW602	QUM024-26Z3Z3	PARA RIBON WIRE		B,EN
	C1702	QETN1EM-476Z	E CAPACITOR	47MF 20% 25V			FW603	QUM133-12DGZ4	PARA RIBON WIRE		B,EN
	C1703	NCS31HJ-151X	C CAPACITOR				FW701	QUM138-26DGZ4	PARA RIBON WIRE	TO CN951&CN952	
	C1704	NCS31HJ-101X	C.CAPA. C.M				FW801	QUM135-22DGZ4	PARA RIBON WIRE	TO CN971&CN972	
	C1705	NCS31HJ-101X	C.CAPA. C.M				FW803	QUM134-17Z4Z4	PARA RIBON WIRE		
	C7391	QENC1EM-475Z	NP E.CAPA 1.M	4.7MF 20% 25V	UN,US,UW		FW851	QUM135-13Z4Z4	PARA RIBON WIRE	TO FW871	UN,US,UW
	C7491	QENC1EM-475Z	NP E.CAPA 1.M	4.7MF 20% 25V	UN,US,UW		FW872	QUM134-24DGZ4	PARA RIBON WIRE	TO CN981	UN,US,UW
	CN601	QGF1016F3-09	FFC/FPC CONNE				HS901	E70306-002	HEAT SINK		
	CN701	QGF1016C1-17	CONNECTOR				IC701	MN101C49GGJ1	IC	SYSTEM MICOM	
	CN702	QGF1205C1-10	CONNECTOR				IC702	IC-PST9140-T	IC		
	CN703	QGF1205C1-09	CONNECTOR				IC703	MN35505-X	IC C.M		
	CN704	QGD2501C1-03Z	SOCKET				IC704	TC7SH08F-X	IC C.M		
	CN705	QGD2501C1-03Z	SOCKET		B,EN		IC711	BA41W12ST-V5	IC		
	CN801	QGF1210G1-09	CONNECTOR				IC741	NJM4580M-X	IC		
	CN951	QGD2501C1-04Z	SOCKET				IC751	NJM4580M-X	IC		
	CN952	QGD2501C1-04Z	SOCKET				IC801	GP1U271X	RM RECIVER		
	CN961	QGA2001C1-09	9P PLUG ASSY				IC802	M35500BGP	FL DRIVER		
	CN971	QGD2501C1-05Z	SOCKET 1.M				IC851	NJM4580L	IC		UN,US,UW
	CN981	QGD2501C1-04Z	SOCKET		UN,US,UW		IC871	NJM4580L	IC		UN,US,UW
	CP951	ICP-N10-T	ICP				△ IC901	STR-G6651	IC		
	CP952	ICP-N5-T	ICP				IC951	PQ05RD21	IC		
	D 609	1SS133-T2	SI DIODE IM				IC953	NJM78M05FA	IC		
	D 619	1SS133-T2	SI DIODE IM				J 601	QNN0317-001	PIN JACK		UJ,UN,US,UW
	D 629	1SS133-T2	SI DIODE IM				J 602	QNZ0430-001	AV JACK		UJ,UN,US,UW
	D 639	1SS133-T2	SI DIODE IM				J 691	QNZ0516-001	RGB CONNECTOR		B,EN
	D 701	1SS133-T2	SI DIODE IM				J 692	QNZ0430-001	AV JACK		B,EN
	D 702	MTZJ3.3B-T2	ZENER DIODE IM				J 701	QNN0170-002	PIN JACK	AUDIO OUT	
	D 709	1SS133-T2	SI DIODE IM				J 702	QNS0089-001	3.5 JACK	AV COMPULINK	
	D 791	1SS133-T2	SI DIODE IM				J 703	GP1FA550TZ	OPT TRANSMITTER	OPT DIGITAL OUT	
	D 792	1SS133-T2	SI DIODE IM				J 704	QNN0347-001	PIN JACK	COAXIAL DIGITAL	
	D 801	SLR-342VC-T	LED				J 851	QNS0156-001	6.3 JACK	MIC1	UN,US,UW
	D 821	SLR-342MC-T	LED				J 852	QNS0157-001	6.3 JACK	MIC2	UN,US,UW
	D 822	SLR-342MC-T	LED				K 601	QQR1183-001Z	F.BEADS 1.M		
	D 823	SLR-342MC-T	LED				K 603	QQR1183-001Z	F.BEADS 1.M		
	D 831	1SS133-T2	SI DIODE IM				K 701	NQR0227-004X	FERRITE BEADS		
	D 832	1SS133-T2	SI DIODE IM				K 702	NQR0227-004X	FERRITE BEADS		
	D 833	1SS133-T2	SI DIODE IM				K 703	NQR0227-004X	FERRITE BEADS		
△	D 901	S1WB/A/60-4101	BRIDGE DIODE				K 704	NQR0227-004X	FERRITE BEADS		
△	D 902	F1T4-T2	FR DIODE				K 705	NQR0227-004X	FERRITE BEADS		
△	D 903	F1T4-T2	FR DIODE				K 706	NQR0227-004X	FERRITE BEADS		
△	D 904	F1T4-T2	FR DIODE				K 707	NRSA63J-0R0X	MG RESISTOR		
△	D 908	F1T4-T2	FR DIODE				K 708	NQR0227-004X	FERRITE BEADS		

■ Electrical parts list (Main board)

Block No. 01

△	Item	Parts number	Parts name	Remarks	Area	△	Item	Parts number	Parts name	Remarks	Area
	K 709	NQR0227-004X	FERRITE BEADS				R 612	NRSA63J-0R0X	MG RESISTOR		
	K 710	NQR0227-004X	FERRITE BEADS				R 613	NRSA63J-151X	MG RESISTOR		
	K 711	NQR0227-004X	FERRITE BEADS				R 614	NRSA63J-0R0X	MG RESISTOR		
	K 951	QQR1183-001Z	F.BEADS I.M		UN,US,UW		R 615	NRSA63J-221X	MG RESISTOR		
	K 952	QQR1183-001Z	F.BEADS I.M		UN,US,UW		R 616	QRE141J-561Y	C RESISTOR	560 5% 1/4W	
	K 953	QQR1183-001Z	F.BEADS I.M		UN,US,UW		R 619	NRSA63J-680X	MG RESISTOR		B,EN
	K 954	QQR1183-001Z	F.BEADS I.M		UN,US,UW		R 619	NRSA63J-820X	MG RESISTOR		UJ,UN,US,UW
	L 601	QQL231K-5R6Y	INDUCTOR I.M				R 621	NRSA63J-151X	MG RESISTOR		
	L 602	QQL231K-2R2Y	INDUCTOR I.M				R 622	NRSA63J-0R0X	MG RESISTOR		
	L 611	QQL231K-5R6Y	INDUCTOR I.M				R 623	NRSA63J-151X	MG RESISTOR		
	L 612	QQL231K-2R2Y	INDUCTOR I.M				R 624	NRSA63J-0R0X	MG RESISTOR		
	L 621	QQL231K-5R6Y	INDUCTOR I.M				R 625	NRSA63J-221X	MG RESISTOR		
	L 622	QQL231K-2R2Y	INDUCTOR I.M				R 629	NRSA63J-750X	MG RESISTOR		
	L 631	QQL231K-5R6Y	INDUCTOR I.M				R 631	NRSA63J-151X	MG RESISTOR		
	L 632	QQL231K-2R2Y	INDUCTOR I.M				R 632	NRSA63J-0R0X	MG RESISTOR		
	L 709	QQR1183-001Z	F.BEADS I.M				R 633	NRSA63J-151X	MG RESISTOR		
△	L 901	QQR1194-001	LINE FILTER				R 634	NRSA63J-0R0X	MG RESISTOR		
	L 951	QQL244K-R22Z	INDUCTOR				R 635	NRSA63J-221X	MG RESISTOR		
	L 952	QQL26AK-220Z	INDUCTOR				R 636	QRE141J-561Y	C RESISTOR	560 5% 1/4W	
	L 955	QQL26AK-220Z	INDUCTOR				R 639	NRSA63J-750X	MG RESISTOR		
	L 957	QQL244K-100Z	INDUCTOR				R 649	NRSA63J-680X	MG RESISTOR		
	L 959	QQL244K-100Z	INDUCTOR				R 650	QRE141J-561Y	C RESISTOR	560 5% 1/4W	
△	P 901	QNC0081-001	AC INLET				R 659	NRSA63J-680X	MG RESISTOR		
△	PC901	PC123Y02	IC(PHOTO COUPLE				R 681	QRE141J-151Y	C RESISTOR	150 5% 1/4W	B,EN
△	PC902	PC123Y02	IC(PHOTO COUPLE				R 685	NRSA63J-151X	MG RESISTOR		B,EN
	PW852	QUB220-15HPDM	SIN TWIST WIRE		UN,US,UW		R 686	NRSA63J-151X	MG RESISTOR		B,EN
	Q 601	KTA1267/YG/-T	TRANSISTOR				R 687	NRSA63J-103X	MG RESISTOR		B,EN
	Q 611	KTA1267/YG/-T	TRANSISTOR				R 688	NRSA63J-103X	MG RESISTOR		B,EN
	Q 621	KTA1267/YG/-T	TRANSISTOR				R 694	NRSA63J-680X	MG RESISTOR		B,EN
	Q 631	KTA1267/YG/-T	TRANSISTOR				R 696	QRE141J-102Y	C RESISTOR	1.0K 5% 1/4W	B,EN
	Q 691	DTC114EKA-X	TRANSISTOR		B,EN		R 697	NRSA63J-821X	MG RESISTOR		B,EN
	Q 692	DTC114EKA-X	TRANSISTOR		B,EN		R 698	NRSA63J-123X	MG RESISTOR		B,EN
	Q 694	2SD2144S/VW/-T	TRANSISTOR		B,EN		R 701	NRSA63J-102X	MG RESISTOR		
	Q 695	2SD2144S/VW/-T	TRANSISTOR		B,EN		R 702	NRSA63J-472X	MG RESISTOR		
	Q 696	DTA114EKA-X	DIGITAL.TRANSIS		B,EN		R 703	NRSA63J-105X	MG RESISTOR		
	Q 697	KRC102S-X	DIGITAL.TR		B,EN		R 704	NRSA63J-102X	MG RESISTOR		
	Q 709	KRC107S-X	DIGITAL.TR				R 705	NRSA63J-2R2X	MG RESISTOR		
	Q 742	DTC114TSA-T	D.TRANSISTOR		UN,US,UW		R 706	NRSA63J-104X	MG RESISTOR		
	Q 743	2SD2144S/VW/-T	TRANSISTOR				R 708	NRSA63J-101X	MG RESISTOR		
	Q 752	DTC114TSA-T	D.TRANSISTOR		UN,US,UW		R 709	NRSA63J-103X	MG RESISTOR		
	Q 753	2SD2144S/VW/-T	TRANSISTOR				R 711	NRSA63J-100X	MG RESISTOR		
	Q 755	DTA144EKA-X	TRANSISTOR		UN,US,UW		R 713	NRSA63J-220X	MG RESISTOR		B,EN,UN,US,UW
	Q 791	DTA114EKA-X	DIGITAL.TRANSIS				R 713	NRSA63J-100X	MG RESISTOR		UJ
	Q 821	DTC124EKA-X	TRANSISTOR				R 715	NRSA63J-220X	MG RESISTOR		B,EN,UN,US,UW
	Q 822	DTC124EKA-X	TRANSISTOR				R 715	NRSA63J-100X	MG RESISTOR		UJ
	Q 823	DTC124EKA-X	TRANSISTOR				R 717	NRSA63J-100X	MG RESISTOR		
	Q 951	KTD863/Y/-T	TRANSISTOR				R 718	NQR0227-004X	FERRITE BEADS		
	Q 952	KRA104S-X	DIGITAL.TR				R 719	NQR0227-004X	FERRITE BEADS		
	Q 953	KTA1267/YG/-T	TRANSISTOR				R 720	NQR0227-004X	FERRITE BEADS		
	Q 964	2SB1184/QR/-X	TRANSISTOR				R 721	NRSA63J-471X	MG RESISTOR		
	Q 965	KTC3199/GL/-T	TRANSISTOR				R 723	NRSA63J-471X	MG RESISTOR		
	Q 966	KTA1267/YG/-T	TRANSISTOR				R 724	NRSA63J-471X	MG RESISTOR		
	Q 991	KTC3199/GL/-T	TRANSISTOR				R 725	NRSA63J-471X	MG RESISTOR		
	R 422	NRSA63J-0R0X	MG RESISTOR		UW		R 728	NRSA63J-471X	MG RESISTOR		
	R 423	NRSA63J-0R0X	MG RESISTOR		UW		R 729	NRSA63J-471X	MG RESISTOR		
	R 601	NRSA63J-151X	MG RESISTOR				R 731	NRSA63J-332X	MG RESISTOR		
	R 602	NRSA63J-0R0X	MG RESISTOR				R 740	QRE141J-273Y	C RESISTOR	27K 5% 1/4W	
	R 603	NRSA63J-151X	MG RESISTOR				R 741	QRE141J-273Y	C RESISTOR	27K 5% 1/4W	
	R 604	NRSA63J-0R0X	MG RESISTOR				R 742	QRE141J-183Y	C RESISTOR	18K 5% 1/4W	
	R 605	NRSA63J-221X	MG RESISTOR				R 743	QRE141J-183Y	C RESISTOR	18K 5% 1/4W	
	R 606	QRE141J-561Y	C RESISTOR	560 5% 1/4W			R 744	NRSA63J-362X	MG RESISTOR		
	R 609	NRSA63J-680X	MG RESISTOR		B,EN		R 745	QRE141J-183Y	C RESISTOR	18K 5% 1/4W	
	R 609	NRSA63J-820X	MG RESISTOR		UJ,UN,US,UW		R 746	NRSA63J-332X	MG RESISTOR		
	R 611	NRSA63J-151X	MG RESISTOR				R 747	NRSA63J-362X	MG RESISTOR		

Electrical parts list (Main board)

Block No. 01

Item	Parts number	Parts name	Remarks	Area	Item	Parts number	Parts name	Remarks	Area
R 748	NRSA63J-112X	MG RESISTOR			R 841	NRSA63J-681X	MG RESISTOR		
R 750	QRE141J-273Y	C RESISTOR	27K 5% 1/4W		R 842	NRSA63J-112X	MG RESISTOR		
R 751	QRE141J-273Y	C RESISTOR	27K 5% 1/4W		R 843	NRSA63J-222X	MG RESISTOR		
R 752	QRE141J-183Y	C RESISTOR	18K 5% 1/4W		R 844	NRSA63J-682X	MG RESISTOR		
R 753	QRE141J-183Y	C RESISTOR	18K 5% 1/4W		R 845	NRSA63J-431X	MG RESISTOR		
R 754	NRSA63J-362X	MG RESISTOR			R 846	NRSA63J-681X	MG RESISTOR		
R 755	QRE141J-183Y	C RESISTOR	18K 5% 1/4W		R 847	NRSA63J-112X	MG RESISTOR		
R 756	NRSA63J-332X	MG RESISTOR			R 848	NRSA63J-222X	MG RESISTOR		
R 757	NRSA63J-362X	MG RESISTOR			R 851	NRSA63J-473X	MG RESISTOR		UN,US,UW
R 758	NRSA63J-112X	MG RESISTOR			R 852	NRSA63J-473X	MG RESISTOR		UN,US,UW
R 761	NRSA63J-112X	MG RESISTOR			R 853	NRSA63J-103X	MG RESISTOR		UN,US,UW
R 762	NRSA63J-681X	MG RESISTOR		B,EN,UJ	R 854	NRSA63J-103X	MG RESISTOR		UN,US,UW
R 762	NRSA63J-562X	MG RESISTOR		UN,US,UW	R 855	NRSA63J-102X	MG RESISTOR		UN,US,UW
R 763	NRSA63J-222X	MG RESISTOR		UN,US,UW	R 856	NRSA63J-102X	MG RESISTOR		UN,US,UW
R 764	NRSA63J-183X	MG RESISTOR			R 857	NRSA63J-182X	MG RESISTOR		UN,US,UW
R 765	NRSA63J-561X	MG RESISTOR		B,EN,UJ	R 858	NRSA63J-182X	MG RESISTOR		UN,US,UW
R 765	NRSA63J-112X	MG RESISTOR		UN,US,UW	R 859	NRSA63J-223X	MG RESISTOR		UN,US,UW
R 766	NRSA63J-273X	MG RESISTOR			R 860	NRSA63J-223X	MG RESISTOR		UN,US,UW
R 767	NRSA63J-101X	MG RESISTOR			R 861	NRSA63J-221X	MG RESISTOR		UN,US,UW
R 768	NRSA63J-103X	MG RESISTOR			R 862	NRSA63J-221X	MG RESISTOR		UN,US,UW
R 769	NRSA63J-362X	MG RESISTOR			R 871	NRSA63J-471X	MG RESISTOR		UN,US,UW
R 771	NRSA63J-112X	MG RESISTOR			R 872	NRSA63J-471X	MG RESISTOR		UN,US,UW
R 772	NRSA63J-681X	MG RESISTOR		B,EN,UJ	R 873	NRSA63J-682X	MG RESISTOR		UN,US,UW
R 772	NRSA63J-562X	MG RESISTOR		UN,US,UW	R 874	NRSA63J-682X	MG RESISTOR		UN,US,UW
R 773	NRSA63J-222X	MG RESISTOR		UN,US,UW	R 875	NRSA63J-563X	MG RESISTOR		UN,US,UW
R 774	NRSA63J-183X	MG RESISTOR			R 877	QRE141J-221Y	C RESISTOR	220 5% 1/4W	UN,US,UW
R 775	NRSA63J-561X	MG RESISTOR		B,EN,UJ	R 878	QRE141J-221Y	C RESISTOR	220 5% 1/4W	UN,US,UW
R 775	NRSA63J-112X	MG RESISTOR		UN,US,UW	R 900	NRSA63J-221X	MG RESISTOR		
R 776	NRSA63J-273X	MG RESISTOR			R 901	QRL01DJ-683X	OMF RESISTOR	68K 5% 1/1W	
R 777	NRSA63J-101X	MG RESISTOR			R 903	QRE141J-270Y	C RESISTOR	27 5% 1/4W	
R 778	NRSA63J-103X	MG RESISTOR			R 904	QRE141J-222Y	C RESISTOR	2.2K 5% 1/4W	
R 780	NRSA63J-112X	MG RESISTOR		B,EN	R 905	QRL027J-683	OMF RESISTOR	68K 5% 1/2W	
R 781	NRSA63J-112X	MG RESISTOR		B,EN	R 906	QRE141J-681Y	C RESISTOR	680 5% 1/4W	
R 782	NRSA63J-221X	MG RESISTOR			R 907	QRT022J-R47	OMF RESISTOR	5% 1/2W	
R 783	NRSA63J-221X	MG RESISTOR			R 908	QRE141J-332Y	C RESISTOR	3.3K 5% 1/4W	
R 784	NRSA63J-112X	MG RESISTOR		UN,US,UW	R 910	QRE141J-754Y	C RESISTOR	750K 5% 1/4W	
R 786	NRSA63J-333X	MG RESISTOR			R 911	QRE141J-754Y	C RESISTOR	750K 5% 1/4W	
R 787	NRSA63J-333X	MG RESISTOR		UN,US,UW	R 952	NRSA63J-103X	MG RESISTOR		
R 788	NRSA63J-222X	MG RESISTOR			R 953	QRE141J-103Y	C RESISTOR	10K 5% 1/4W	
R 789	NRSA63J-222X	MG RESISTOR			R 954	QRZ9006-4R7X	F RESISTOR	4.7 1/0W	
R 790	NRSA63J-112X	MG RESISTOR		B,EN	R 955	NRSA63J-223X	MG RESISTOR		
R 791	NRSA63J-112X	MG RESISTOR		B,EN	R 956	QRE141J-100Y	C RESISTOR	10 5% 1/4W	
R 792	NRSA63J-221X	MG RESISTOR			R 960	QRE141J-101Y	C RESISTOR	100 5% 1/4W	
R 793	NRSA63J-221X	MG RESISTOR			R 961	NRSA63J-681X	MG RESISTOR		
R 794	NRSA63J-112X	MG RESISTOR		UN,US,UW	R 964	NRSA63J-105X	MG RESISTOR		
R 795	NRSA63J-472X	MG RESISTOR		B,EN,UN,US,UW	R 965	NRSA63J-103X	MG RESISTOR		
R 796	NRSA63J-472X	MG RESISTOR			R 969	NRSA63J-221X	MG RESISTOR		
R 797	NRSA63J-473X	MG RESISTOR			R 971	NRSA63J-392X	MG RESISTOR		
R 799	NRSA63J-473X	MG RESISTOR		UN,US,UW	R 972	NRSA63J-122X	MG RESISTOR		
R 800	NRSA63J-362X	MG RESISTOR			R 973	NRSA63J-102X	MG RESISTOR		
R 802	NRSA63J-222X	MG RESISTOR			R 974	NRSA63J-562X	MG RESISTOR		
R 803	NRSA63J-222X	MG RESISTOR			R 975	NRSA63J-562X	MG RESISTOR		
R 806	NRSA63J-102X	MG RESISTOR			R 976	QRE141J-221Y	C RESISTOR	220 5% 1/4W	
R 807	NRSA63J-102X	MG RESISTOR			R 980	QRE141J-272Y	C RESISTOR	2.7K 5% 1/4W	
R 808	NRSA63J-102X	MG RESISTOR			R1704	NRSA63J-103X	MG RESISTOR		
R 809	NRSA63J-102X	MG RESISTOR			R1707	NRSA63J-222X	MG RESISTOR		
R 810	NRSA63J-102X	MG RESISTOR			R1708	NRSA63J-222X	MG RESISTOR		
R 811	NRSA63J-102X	MG RESISTOR			R1709	NRSA63J-102X	MG RESISTOR		
R 812	NRSA63J-102X	MG RESISTOR			R1710	NRSA63J-102X	MG RESISTOR		
R 813	NRSA63J-102X	MG RESISTOR			R1711	NRSA63J-102X	MG RESISTOR		
R 825	NRSA63J-271X	MG RESISTOR			R1712	NRSA63J-331X	MG RESISTOR		
R 826	NRSA63J-271X	MG RESISTOR			R1713	NRSA63J-101X	MG RESISTOR		
R 827	NRSA63J-271X	MG RESISTOR			R1714	NRSA63J-472X	MG RESISTOR		
R 840	NRSA63J-431X	MG RESISTOR			R1715	NRSA63J-103X	MG RESISTOR		UJ

■ Electrical parts list (Main board)

Block No. 01

△	Item	Parts number	Parts name	Remarks	Area
	R1716	NRSA63J-102X	MG RESISTOR		
	R1717	QRE141J-102Y	C RESISTOR	1.0K 5% 1/4W	UN,US,UW
	R1721	NRSA63J-331X	MG RESISTOR		
	R1722	NRSA63J-750X	MG RESISTOR		
	R1723	NRSA63J-270X	MG RESISTOR		
	R1724	NRSA63J-101X	MG RESISTOR		
	R7391	NRSA63J-105X	MG RESISTOR		UN,US,UW
	R7491	NRSA63J-105X	MG RESISTOR		UN,US,UW
	S 691	QSW0454-001	SW		B,EN
	S 701	QSW0454-001	SW		UN,US,UW
	S 702	QSW0454-001	SW		UN,US,UW
	S 801	QSW0651-001Z	TACT SWITCH	STANDBY	
	S 821	QSW0651-001Z	TACT SWITCH		
	S 822	QSW0651-001Z	TACT SWITCH		
	S 823	QSW0651-001Z	TACT SWITCH		
	S 824	QSW0651-001Z	TACT SWITCH		
	S 825	QSW0651-001Z	TACT SWITCH		
	S 826	QSW0651-001Z	TACT SWITCH		
	S 831	QSW0651-001Z	TACT SWITCH		
	S 832	QSW0651-001Z	TACT SWITCH		
	S 833	QSW0651-001Z	TACT SWITCH		
	S 834	QSW0651-001Z	TACT SWITCH		
	S 835	QSW0651-001Z	TACT SWITCH		
	T 701	QQR1185-001	PULSE TRANS		
△	T 901	QQS0076-001	SW TRANSF		B,EN,UN,US,UW
△	T 901	QQS0028-001	SW TRANSF		UJ
	VR871	QVQ0006-B14	SEMI.V.RESISTOR		UN,US,UW
	VR872	QVQ0006-B14	SEMI.V.RESISTOR		UN,US,UW
	X 701	QAX0671-001Z	RESONATOR 1.M		

## ■ Electrical parts list (Servo control board)

Block No. 02

△	Item	Parts number	Parts name	Remarks	Area	△	Item	Parts number	Parts name	Remarks	Area
	C 1	NCB31CK-104X	C CAPACITOR				C 237	NCB31CK-104X	C CAPACITOR		
	C 2	NEA70JM-226X	E CAPACITOR				C 238	NCB31CK-104X	C CAPACITOR		
	C 3	NEA70JM-226X	E CAPACITOR				C 239	NCB31CK-183X	C CAPACITOR		
	C 4	NCB31CK-104X	C CAPACITOR				C 240	NCS31HJ-101X	C.CAPA. C.M		
	C 5	NEA70JM-226X	E CAPACITOR				C 241	NCB31CK-103X	C CAPACITOR		
	C 6	NCB31CK-104X	C CAPACITOR				C 242	NCB11CK-105X	C CAPACITOR		
	C 11	NEA70JM-107X	E.CAPACITOR				C 244	NCB31CK-104X	C CAPACITOR		
	C 12	NCB31CK-104X	C CAPACITOR				C 245	NCB31CK-103X	C CAPACITOR		
	C 15	NCB31CK-104X	C CAPACITOR				C 246	NCB31CK-104X	C CAPACITOR		
	C 16	NBE20JM-106X	TS E CAP SVB20J				C 247	NCB31CK-104X	C CAPACITOR		
	C 17	NCB31CK-104X	C CAPACITOR				C 248	NCB21CK-154X	C CAPACITOR		
	C 101	NCB31HK-561X	C CAPACITOR				C 249	NCB31CK-104X	C CAPACITOR		
	C 102	NCB31CK-104X	C CAPACITOR				C 250	NCB31CK-104X	C CAPACITOR		
	C 103	NCB31CK-104X	C CAPACITOR				C 251	NCB31CK-104X	C CAPACITOR		
	C 104	NCB31CK-104X	C CAPACITOR				C 253	NCB31CK-104X	C CAPACITOR		
	C 105	NCB31CK-104X	C CAPACITOR				C 254	NEA70GM-336X	E CAPACITOR		
	C 109	NEA70JM-476X	E.CAPACITOR				C 255	NCB31CK-104X	C CAPACITOR		
	C 112	NEA70JM-476X	E.CAPACITOR				C 256	NEA70GM-107X	E CAPACITOR		
	C 118	NCB21CK-154X	C CAPACITOR				C 257	NCB11CK-105X	C CAPACITOR		
	C 119	NCS31HJ-221X	C.CAPA. C.M				C 258	NEA70GM-107X	E CAPACITOR		
	C 120	NCS31HJ-820X	C CAPACITOR				C 259	NCB11CK-105X	C CAPACITOR		
	C 121	NCS31HJ-220X	C CAPACITOR				C 260	NCB31HK-561X	C CAPACITOR		
	C 122	NCB31HK-271X	C CAPACITOR				C 261	NCB31CK-104X	C CAPACITOR		
	C 123	NCB31CK-104X	C CAPACITOR				C 262	NCB31CK-104X	C CAPACITOR		
	C 124	NCB31CK-104X	C CAPACITOR				C 263	NCB31CK-104X	C CAPACITOR		
	C 125	NCB31CK-104X	C CAPACITOR				C 264	NCB21CK-474X	C CAPACITOR		
	C 126	NEX40JM-566X	E CAPACITOR				C 271	NCB31EK-332X	C CAPACITOR		
	C 127	NCB31HK-102X	C CAPACITOR				C 272	NCB31HK-331X	C CAPACITOR		
	C 128	NCB31CK-104X	C CAPACITOR				C 276	NCB31CK-104X	C CAPACITOR		
	C 130	NCB31CK-104X	C CAPACITOR				C 277	NCB31CK-104X	C CAPACITOR		
	C 131	NCS31HJ-120X	C.CAPA. C.M				C 278	NCB31HK-102X	C CAPACITOR		
	C 132	NCB31CK-104X	C CAPACITOR				C 279	NCB31HK-152X	C CAPACITOR		
	C 133	NCB31HK-561X	C CAPACITOR				C 281	NCB31CK-103X	C CAPACITOR		
	C 134	NCB31HK-561X	C CAPACITOR				C 283	NCB31CK-223X	C CAPACITOR		
	C 135	NCB31CK-273X	C CAPACITOR				C 284	NCB31CK-473X	C CAPACITOR		
	C 136	NCB31CK-473X	C CAPACITOR				C 288	NCB31CK-223X	C CAPACITOR		
	C 138	NCB31CK-104X	C CAPACITOR				C 289	NCB31CK-104X	C CAPACITOR		
	C 139	NCB31CK-104X	C CAPACITOR				C 291	NCB31CK-104X	C CAPACITOR		
	C 140	NEA70JM-226X	E CAPACITOR				C 292	NEA70JM-226X	E CAPACITOR		
	C 141	NCB31CK-104X	C CAPACITOR				C 293	NEA71CM-226X	E.CAPAP. C.M		
	C 143	NCB31CK-104X	C CAPACITOR				C 301	NCB31CK-104X	C CAPACITOR		
	C 144	NCB31CK-104X	C CAPACITOR				C 302	NCB31CK-104X	C CAPACITOR		
	C 145	NCB31CK-103X	C CAPACITOR				C 303	NCB31CK-104X	C CAPACITOR		
	C 151	NEA70JM-226X	E CAPACITOR				C 304	NCB31CK-104X	C CAPACITOR		
	C 152	NEX40JM-156X	E.CAPACITOR				C 305	NCB31CK-104X	C CAPACITOR		
	C 153	NCB31CK-104X	C CAPACITOR				C 306	NCB31CK-104X	C CAPACITOR		
	C 159	NCB31CK-104X	C CAPACITOR				C 307	NCB31CK-104X	C CAPACITOR		
	C 160	NCB31CK-104X	C CAPACITOR				C 309	NCB31CK-104X	C CAPACITOR		
	C 161	NEA70GM-336X	E CAPACITOR				C 310	NCB31CK-104X	C CAPACITOR		
	C 202	NCB31HK-561X	C CAPACITOR				C 311	NCB31CK-104X	C CAPACITOR		
	C 203	NCB31HK-561X	C CAPACITOR				C 312	NCS31HJ-180X	C CAPACITOR		
	C 204	NCB31HK-331X	C CAPACITOR				C 313	NCS31HJ-180X	C CAPACITOR		
	C 205	NCS31HJ-121X	C CAPACITOR				C 314	NCB31CK-104X	C CAPACITOR		
	C 206	NCS31HJ-271X	C CAPACITOR				C 315	NCB31CK-104X	C CAPACITOR		
	C 207	NCB31HK-471X	C CAPACITOR				C 316	NEA70GM-107X	E CAPACITOR		
	C 208	NCB31CK-104X	C CAPACITOR				C 317	NCB11CK-105X	C CAPACITOR		
	C 209	NCB31HK-102X	C CAPACITOR				C 318	NCB31CK-104X	C CAPACITOR		
	C 210	NCB31HK-102X	C CAPACITOR				C 319	NCB31CK-104X	C CAPACITOR		
	C 222	NCB31CK-103X	C CAPACITOR				C 320	NCB31CK-104X	C CAPACITOR		
	C 223	NCB31HK-102X	C CAPACITOR				C 321	NCB31CK-104X	C CAPACITOR		
	C 224	NCB31CK-104X	C CAPACITOR				C 324	NCB31CK-104X	C CAPACITOR		
	C 225	NBE91CM-105X	E CAPACITOR				C 326	NCB31CK-104X	C CAPACITOR		
	C 227	NCB31HK-102X	C CAPACITOR				C 327	NEA70GM-107X	E CAPACITOR		
	C 228	NCB31HK-102X	C CAPACITOR				C 341	NCB31CK-104X	C CAPACITOR		

■ Electrical parts list (Servo control board)

Block No. 02

△	Item	Parts number	Parts name	Remarks	Area
	C 342	NCB31CK-104X	C CAPACITOR		
	C 343	NCB31CK-104X	C CAPACITOR		
	C 344	NCB31CK-104X	C CAPACITOR		
	C 345	NEA70JM-107X	E.CAPACITOR		
	C 346	NCB11CK-105X	C CAPACITOR		
	C 401	NCB31CK-104X	C CAPACITOR		
	C 402	NCB31CK-104X	C CAPACITOR		
	C 405	NCB31CK-104X	C CAPACITOR		
	C 406	NCB31CK-104X	C CAPACITOR		
	C 407	NCB31CK-104X	C CAPACITOR		
	C 408	NEA70JM-226X	E CAPACITOR		
	C 409	NCB31CK-104X	C CAPACITOR		
	C 410	NCB31CK-104X	C CAPACITOR		
	C 411	NCB31CK-104X	C CAPACITOR		
	C 412	NCB31CK-104X	C CAPACITOR		
	C 421	NCB31CK-104X	C CAPACITOR		
	C 422	NCB31CK-104X	C CAPACITOR		
	C 501	NCB31CK-104X	C CAPACITOR		
	C 502	NCB31CK-104X	C CAPACITOR		
	C 503	NCB31CK-104X	C CAPACITOR		
	C 504	NCB31CK-104X	C CAPACITOR		
	C 505	NCB31CK-104X	C CAPACITOR		
	C 506	NCB31CK-104X	C CAPACITOR		
	C 507	NCB31CK-104X	C CAPACITOR		
	C 508	NCB31CK-104X	C CAPACITOR		
	C 509	NCB31CK-104X	C CAPACITOR		
	C 510	NCB31CK-104X	C CAPACITOR		
	C 511	NCB31CK-104X	C CAPACITOR		
	C 512	NCB31CK-104X	C CAPACITOR		
	C 513	NCB31CK-104X	C CAPACITOR		
	C 514	NCB31CK-104X	C CAPACITOR		
	C 515	NCB31CK-104X	C CAPACITOR		
	C 516	NCB31CK-104X	C CAPACITOR		
	C 517	NCB31CK-104X	C CAPACITOR		
	C 518	NCB31CK-104X	C CAPACITOR		
	C 519	NCB31CK-104X	C CAPACITOR		
	C 520	NCB31CK-104X	C CAPACITOR		
	C 521	NCB31CK-104X	C CAPACITOR		
	C 522	NCB31CK-104X	C CAPACITOR		
	C 523	NCB31CK-104X	C CAPACITOR		
	C 524	NCB31CK-104X	C CAPACITOR		
	C 525	NCB31CK-104X	C CAPACITOR		
	C 526	NCB31CK-104X	C CAPACITOR		
	C 527	NCB31CK-104X	C CAPACITOR		
	C 528	NCB31CK-104X	C CAPACITOR		
	C 529	NCB31CK-104X	C CAPACITOR		
	C 530	NEA70JM-107X	E.CAPACITOR		
	C 531	NCB31CK-104X	C CAPACITOR		
	C 532	NCB31CK-104X	C CAPACITOR		
	C 533	NCB31CK-104X	C CAPACITOR		
	C 534	NEA70JM-107X	E.CAPACITOR		
	C 535	NCB31CK-104X	C CAPACITOR		
	C 536	NCB31CK-103X	C CAPACITOR		
	C 537	NEA70JM-226X	E CAPACITOR		
	C 538	NCB31CK-104X	C CAPACITOR		
	C 539	NCB31CK-104X	C CAPACITOR		
	C 540	NEA70JM-226X	E CAPACITOR		
	C 541	NCB31CK-104X	C CAPACITOR		
	C 542	NEA70JM-226X	E CAPACITOR		
	C 543	NCB31CK-104X	C CAPACITOR		
	C 544	NCB31CK-104X	C CAPACITOR		
	C 546	NEA71CM-106X	E.CAPACITOR		
	C 547	NCB31CK-104X	C CAPACITOR		
	C 548	NCB31CK-104X	C CAPACITOR		

△	Item	Parts number	Parts name	Remarks	Area
	C 550	NEA71CM-106X	E.CAPACITOR		
	C 556	NEA70JM-107X	E.CAPACITOR		
	C 557	NCB31CK-104X	C CAPACITOR		
	C 561	NCB31CK-104X	C CAPACITOR		
	C 562	NEA70JM-226X	E CAPACITOR		
	C 566	NCB31CK-104X	C CAPACITOR		
	C 567	NEA70JM-226X	E CAPACITOR		
	C 589	NEA71EM-475X	E.CAPACITOR.		
	C 590	NEA71EM-475X	E.CAPACITOR.		
	C 591	NCB31HK-222X	C CAPACITOR		
	C 592	NCB31HK-222X	C CAPACITOR		
	C 593	NCB31CK-104X	C CAPACITOR		
	C 594	NEA71EM-475X	E.CAPACITOR.		
	C 595	NCB31CK-104X	C CAPACITOR		
	C 596	NEA71EM-475X	E.CAPACITOR.		
	C 599	NCB31CK-104X	C CAPACITOR		
	CN101	QGF0501F3-40X	FFC/FPC CONNE	PU	
	CN501	QGA2001F2-09X	CONNECTOR	POWER	
	CN502	QGF1016F2-17W	CONNECTOR	SYSTEM	
	CN503	QGF1016F2-09W	CONNECTOR C.M	VIDEO	
	D 501	1SR154-400-X	DIODE		
	D 511	1SS355-X	DIODE C.M		
	D 512	1SS355-X	DIODE C.M		
	D 513	1SS355-X	DIODE C.M		
	D 514	1SS355-X	DIODE C.M		
	IC 1	MM3023DN-X	IC		
	IC101	AN8702FH	IC		
	IC102	MM3023DN-X	IC		
	IC201	MN67706ZY	IC		
	IC271	M56788FP-W	IC		
	IC301	MN103S13BDA	IC		
	IC311	TC7SH08FU-X	IC		
	IC312	TC7SH32FU-X	IC		
	IC321	TC7WH74FU-X	IC		
	IC322	TC74VHC00FT-X	IC		
	<b>IC401</b>	MN102L62GGP	IC	<b>ATTENTION</b>	
	<b>IC402</b>	MR27V1602EN7MAX	IC	<b>ATTENTION</b>	B,EN
	<b>IC402</b>	MR27V1602ES9MAX	IC	<b>ATTENTION</b>	UJ
	<b>IC402</b>	MR27V1602EN8MAX	IC	<b>ATTENTION</b>	UN,US,U
	IC403	AK93C65AF-X	IC		
	IC411	TC74VHC125FT-X	IC		
	IC412	TC7WT125FU-X	IC(DIGITAL)		
	IC501	ZIVA-4.1-PA2	IC		
	IC502	NAX0393-001X	CXO C.M	27MHZ	
	IC503	TC74VHC00FT-X	IC		
	IC511	AK5353VT-X	IC		
	K 102	NQR0007-002X	FERRITE BEADS		
	K 103	NQR0007-002X	FERRITE BEADS		
	K 201	NQR0007-002X	FERRITE BEADS		
	K 202	NQR0007-002X	FERRITE BEADS		
	K 203	NQR0007-002X	FERRITE BEADS		
	K 301	NQR0007-002X	FERRITE BEADS		
	K 302	NQR0007-002X	FERRITE BEADS		
	K 303	NQR0007-002X	FERRITE BEADS		
	K 401	NQR0007-002X	FERRITE BEADS		
	K 402	NQR0007-002X	FERRITE BEADS		
	K 501	NQR0007-002X	FERRITE BEADS		
	K 502	NQR0007-002X	FERRITE BEADS		
	K 503	NQR0007-002X	FERRITE BEADS		
	K 504	NQR0201-001X	FERRITE BEADS		
	K 505	NQR0269-001X	FERRITE BEADS		
	K 506	NQR0007-002X	FERRITE BEADS		
	K 511	NQR0007-002X	FERRITE BEADS		
	K 551	NQR0007-002X	FERRITE BEADS		

ATTENTION : Please exchange "IC401" and "IC402" absolutely by the pair.



## ■ Electrical parts list (Servo control board)

Block No. 02

△	Item	Parts number	Parts name	Remarks	Area	△	Item	Parts number	Parts name	Remarks	Area
	K 553	NQR0007-002X	FERRITE BEADS				R 219	NRSA63J-473X	MG RESISTOR		
	K 554	NRSA02J-0R0X	MG RESISTOR				R 220	NRSA63J-473X	MG RESISTOR		
	K 555	NQR0007-002X	FERRITE BEADS				R 223	NRSA63J-473X	MG RESISTOR		
	K 556	NQR0007-002X	FERRITE BEADS				R 225	NRSA63J-682X	MG RESISTOR		
	K 558	NQR0007-002X	FERRITE BEADS				R 227	NRSA63J-102X	MG RESISTOR		
	K 561	NQR0007-002X	FERRITE BEADS				R 228	NRSA63J-183X	MG RESISTOR		
	L 1	NQL044K-100X	INDUCTOR				R 229	NRSA63J-273X	MG RESISTOR		
	Q 1	KTC4377/C/-X	POW TRANSISTOR				R 230	NRSA63J-273X	MG RESISTOR		
	Q 101	KTA1001/Y/-X	TRANSISTOR				R 232	NRSA63J-472X	MG RESISTOR		
	Q 102	KTA1001/Y/-X	TRANSISTOR				R 233	NRSA63J-472X	MG RESISTOR		
	Q 275	DTC144EE-X	TRANSISTOR				R 234	NRSA63J-472X	MG RESISTOR		
	Q 401	DTC144EE-X	TRANSISTOR				R 235	NRSA63J-0R0X	MG RESISTOR		
	Q 402	DTC144EE-X	TRANSISTOR				R 237	NRSA63J-221X	MG RESISTOR		
	Q 403	DTC144EE-X	TRANSISTOR				R 238	NRSA63J-221X	MG RESISTOR		
	R 1	NRSA63J-100X	MG RESISTOR				R 239	NRSA63J-221X	MG RESISTOR		
	R 103	NRS125J-270X	MG RESISTOR				R 240	NRSA63J-221X	MG RESISTOR		
	R 104	NRS125J-270X	MG RESISTOR				R 241	NRSA63J-221X	MG RESISTOR		
	R 107	NRSA63J-0R0X	MG RESISTOR				R 242	NRSA63J-102X	MG RESISTOR		
	R 108	NRSA63J-183X	MG RESISTOR				R 243	NRSA63J-102X	MG RESISTOR		
	R 109	NRSA63J-0R0X	MG RESISTOR				R 244	NRSA63J-102X	MG RESISTOR		
	R 110	NRSA63J-273X	MG RESISTOR				R 245	NRSA63J-102X	MG RESISTOR		
	R 111	NRSA63J-0R0X	MG RESISTOR				R 246	NRSA63J-102X	MG RESISTOR		
	R 112	NRSA63J-273X	MG RESISTOR				R 248	NRSA63J-473X	MG RESISTOR		
	R 113	NRSA63J-682X	MG RESISTOR				R 249	NRSA63J-473X	MG RESISTOR		
	R 114	NRSA63J-102X	MG RESISTOR				R 250	NRSA63J-473X	MG RESISTOR		
	R 115	NRVA63D-243X	MG RESISTOR				R 253	NRS125J-4R7X	MG RESISTOR		
	R 116	NRSA63J-393X	MG RESISTOR				R 255	NRSA63J-123X	MG RESISTOR		
	R 117	NRSA63J-123X	MG RESISTOR				R 256	NRSA63J-0R0X	MG RESISTOR		
	R 118	NRSA63J-223X	MG RESISTOR				R 257	NRSA63J-0R0X	MG RESISTOR		
	R 121	NRSA63J-0R0X	MG RESISTOR				R 258	NRSA63J-0R0X	MG RESISTOR		
	R 122	NRSA63J-0R0X	MG RESISTOR				R 261	NRSA63J-0R0X	MG RESISTOR		
	R 123	NRSA63J-0R0X	MG RESISTOR				R 271	NRSA63J-563X	MG RESISTOR		
	R 124	NRSA63J-0R0X	MG RESISTOR				R 272	NRSA63J-103X	MG RESISTOR		
	R 125	NRSA63J-0R0X	MG RESISTOR				R 273	NRS125J-1R0X	MG RESISTOR		
	R 126	NRSA63J-0R0X	MG RESISTOR				R 274	NRSA63J-0R0X	MG RESISTOR		
	R 127	NRSA63J-222X	MG RESISTOR				R 275	NRSA63J-103X	MG RESISTOR		
	R 128	NRSA63J-105X	MG RESISTOR				R 276	NRSA63J-103X	MG RESISTOR		
	R 129	NRSA63J-105X	MG RESISTOR				R 277	NRSA63J-103X	MG RESISTOR		
	R 131	NRSA63J-822X	MG RESISTOR				R 278	NRSA63J-103X	MG RESISTOR		
	R 132	NRSA63J-103X	MG RESISTOR				R 279	NRSA63J-103X	MG RESISTOR		
	R 144	NRSA63J-333X	MG RESISTOR				R 280	NRSA63J-103X	MG RESISTOR		
	R 145	NRSA63J-103X	MG RESISTOR				R 282	NRSA63J-103X	MG RESISTOR		
	R 152	NRS125J-1R0X	MG RESISTOR				R 283	NRSA63J-103X	MG RESISTOR		
	R 153	NRS125J-4R7X	MG RESISTOR				R 284	NRSA63J-472X	MG RESISTOR		
	R 155	NRSA63J-0R0X	MG RESISTOR				R 285	NRSA63J-103X	MG RESISTOR		
	R 156	NRSA63J-333X	MG RESISTOR				R 286	NRSA63J-103X	MG RESISTOR		
	R 160	NRSA63J-0R0X	MG RESISTOR				R 287	NRSA63J-103X	MG RESISTOR		
	R 161	NRSA63J-0R0X	MG RESISTOR				R 288	NRSA63J-103X	MG RESISTOR		
	R 162	NRSA63J-0R0X	MG RESISTOR				R 289	NRSA63J-103X	MG RESISTOR		
	R 163	NRSA63J-0R0X	MG RESISTOR				R 290	NRSA63J-103X	MG RESISTOR		
	R 166	NRSA63J-182X	MG RESISTOR				R 292	NRSA63J-223X	MG RESISTOR		
	R 202	NRSA63J-473X	MG RESISTOR				R 295	NRSA63J-103X	MG RESISTOR		
	R 203	NRSA63J-473X	MG RESISTOR				R 296	NRSA63J-103X	MG RESISTOR		
	R 204	NRSA63J-473X	MG RESISTOR				R 297	NRS125J-1R0X	MG RESISTOR		
	R 205	NRSA63J-473X	MG RESISTOR				R 301	NRSA63J-473X	MG RESISTOR		
	R 208	NRSA63J-473X	MG RESISTOR				R 302	NRSA63J-473X	MG RESISTOR		
	R 209	NRSA63J-123X	MG RESISTOR				R 303	NRSA63J-473X	MG RESISTOR		
	R 210	NRSA63J-473X	MG RESISTOR				R 304	NRSA63J-473X	MG RESISTOR		
	R 211	NRSA63J-273X	MG RESISTOR				R 305	NRSA63J-473X	MG RESISTOR		
	R 212	NRSA63J-273X	MG RESISTOR				R 306	NRSA63J-473X	MG RESISTOR		
	R 213	NRSA63J-562X	MG RESISTOR				R 307	NRSA63J-473X	MG RESISTOR		
	R 214	NRSA63J-123X	MG RESISTOR				R 308	NRSA63J-473X	MG RESISTOR		
	R 215	NRSA63J-105X	MG RESISTOR				R 309	NRSA63J-103X	MG RESISTOR		
	R 218	NRSA63J-153X	MG RESISTOR				R 310	NRSA63J-102X	MG RESISTOR		

■ Electrical parts list (Servo control board)

Block No. 02

△	Item	Parts number	Parts name	Remarks	Area
	R 311	NRSA63J-102X	MG RESISTOR		
	R 312	NRSA63J-102X	MG RESISTOR		
	R 316	NRSA63J-105X	MG RESISTOR		
	R 317	NRSA63J-0R0X	MG RESISTOR		
	R 318	NRSA63J-0R0X	MG RESISTOR		
	R 322	NRSA63J-473X	MG RESISTOR		
	R 324	NRSA63J-473X	MG RESISTOR		
	R 328	NRSA63J-473X	MG RESISTOR		
	R 342	NRSA63J-0R0X	MG RESISTOR		
	R 343	NRSA63J-102X	MG RESISTOR		
	R 345	NRSA63J-562X	MG RESISTOR		
	R 346	NRSA63J-472X	MG RESISTOR		
	R 347	NRSA63J-102X	MG RESISTOR		
	R 348	NRSA63J-102X	MG RESISTOR		
	R 349	NRSA63J-102X	MG RESISTOR		
	R 350	NRSA63J-102X	MG RESISTOR		
	R 364	NRSA63J-0R0X	MG RESISTOR		
	R 403	NRSA63J-472X	MG RESISTOR		
	R 405	NRSA63J-472X	MG RESISTOR		
	R 408	NRSA63J-472X	MG RESISTOR		
	R 411	NRSA63J-472X	MG RESISTOR		
	R 412	NRSA63J-103X	MG RESISTOR		
	R 413	NRSA63J-472X	MG RESISTOR		
	R 414	NRSA63J-472X	MG RESISTOR		
	R 415	NRSA63J-472X	MG RESISTOR		
	R 416	NRSA63J-472X	MG RESISTOR		
	R 417	NRSA63J-472X	MG RESISTOR		
	R 418	NRSA63J-472X	MG RESISTOR		
	R 421	NRSA63J-0R0X	MG RESISTOR		
	R 424	NRSA63J-0R0X	MG RESISTOR		
	R 426	NRSA63J-0R0X	MG RESISTOR		
	R 431	NRSA63J-472X	MG RESISTOR		
	R 432	NRSA63J-472X	MG RESISTOR		
	R 435	NRSA63J-103X	MG RESISTOR		
	R 436	NRSA63J-103X	MG RESISTOR		
	R 437	NRSA63J-103X	MG RESISTOR		
	R 501	NRSA63J-102X	MG RESISTOR		
	R 502	NRSA63J-472X	MG RESISTOR		
	R 504	NRSA63J-330X	MG RESISTOR		
	R 506	NRSA63J-330X	MG RESISTOR		
	R 507	NRSA63J-330X	MG RESISTOR		
	R 508	NRSA63J-330X	MG RESISTOR		
	R 509	NRSA63J-330X	MG RESISTOR		
	R 510	NRSA63J-330X	MG RESISTOR		
	R 511	NRSA63J-330X	MG RESISTOR		
	R 512	NRSA63J-330X	MG RESISTOR		
	R 513	NRSA63J-330X	MG RESISTOR		
	R 514	NRSA63J-330X	MG RESISTOR		
	R 515	NRSA63J-330X	MG RESISTOR		
	R 516	NRSA63J-330X	MG RESISTOR		
	R 517	NRSA63J-330X	MG RESISTOR		
	R 518	NRSA63J-330X	MG RESISTOR		
	R 519	NRSA63J-330X	MG RESISTOR		
	R 520	NRSA63J-330X	MG RESISTOR		
	R 521	NRSA63J-330X	MG RESISTOR		
	R 522	NRSA63J-330X	MG RESISTOR		
	R 524	NRSA63J-181X	MG RESISTOR		
	R 527	NRSA63J-181X	MG RESISTOR		
	R 528	NRSA63J-102X	MG RESISTOR		
	R 529	NRSA63J-181X	MG RESISTOR		
	R 530	NRSA63J-0R0X	MG RESISTOR		
	R 531	NRSA63J-330X	MG RESISTOR		
	R 532	NRSA63J-102X	MG RESISTOR		
	R 533	NRSA63J-330X	MG RESISTOR		

△	Item	Parts number	Parts name	Remarks	Area
	R 534	NRSA63J-330X	MG RESISTOR		
	R 535	NRSA63J-330X	MG RESISTOR		
	R 536	NRSA63J-330X	MG RESISTOR		
	R 537	NRSA63J-330X	MG RESISTOR		
	R 538	NRSA63J-330X	MG RESISTOR		
	R 539	NRSA63J-330X	MG RESISTOR		
	R 540	NRSA63J-330X	MG RESISTOR		
	R 541	NRSA63J-0R0X	MG RESISTOR		
	R 542	NRSA63J-0R0X	MG RESISTOR		
	R 543	NRSA63J-0R0X	MG RESISTOR		
	R 545	NRSA63J-472X	MG RESISTOR		
	R 546	NRSA63J-181X	MG RESISTOR		
	R 549	NRSA63J-0R0X	MG RESISTOR		
	R 561	NCB31CK-104X	C CAPACITOR		
	R 562	NRSA63J-181X	MG RESISTOR		
	R 563	NRSA63J-181X	MG RESISTOR		
	R 591	NRSA63J-471X	MG RESISTOR		
	R 592	NRSA63J-471X	MG RESISTOR		
	R 595	NRSA63J-0R0X	MG RESISTOR		
	R1201	NRSA63J-183X	MG RESISTOR	TO C230	
	X 301	NAX0375-001X	CRYSTAL	16.9344MHZ	
	X 401	NAX0331-001X	C RESONATOR		

Block No. 03

■ Electrical parts list (DVD changer mechanism switch board)

△	Item	Parts number	Parts name	Remarks	Area
	CN804	QGB2016J1-07	CONNECTOR		
	SW 1	QSW0507-001	SWITCH		
	SW 2	QSW0507-001	SWITCH		
	SW 3	QSW0507-001	SWITCH		
	SW 4	QSW0507-001	SWITCH		
	SW 5	QSW0507-001	SWITCH		
	SW 6	QSW0507-001	SWITCH		

Block No. 04

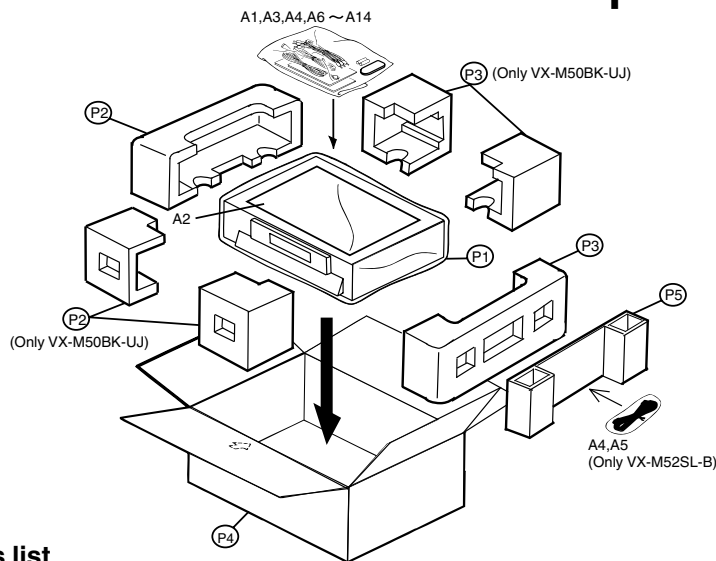
■ Electrical parts list (Mechanism control board)

△	Item	Parts number	Parts name	Remarks	Area
	C 801	QEK41AM-107Z	E CAPACITOR	100MF 20% 10V	
	C 802	QEK41EM-475	E CAPACITOR	4.7MF 20% 25V	
	C 803	QFLC1HJ-102Z	M CAPACITOR	1000PF 5% 50V	
	C 804	QCFB1HZ-104Y	C CAPACITOR	.10MF +80%-20%	
	C 805	QDYB1CM-103Y	C CAPACITOR		
	C 806	QEK41CM-476	E CAPACITOR	47MF 20% 16V	
	C 807	QEK41CM-476	E CAPACITOR	47MF 20% 16V	
	C 808	QFLC1HJ-102Z	M CAPACITOR	1000PF 5% 50V	
	C 810	QCZ0205-155Z	ML C CAP I/M	1.5MF	
	C 811	QCZ0205-155Z	ML C CAP I/M	1.5MF	
	C 813	QDYB1CM-103Y	C CAPACITOR		
	C 821	QDGB1HK-102Y	C CAPACITOR		
	CN801	QGF1205F1-10	CONNECTOR	TO MICON	
	CN802	QGB2016K1-07	CONNECTOR	TO SWITCH PWB	
	CN803	QGB2012K2-10	CONNECTOR	TO CAM SW PWB	
	IC801	UPD65612GB-208	IC		
△	IC802	TA8409S	IC		
△	IC803	TA8409S	IC		
	L 801	QQL231K-100Y	INDUCTOR		
	L 802	QQL01BK-100Z	INDUCTOR		
	L 803	QQL01BK-100Z	INDUCTOR		
	L 804	QQL01BK-100Z	INDUCTOR		
	R 805	QRE141J-102Y	C RESISTOR	1.0K 5% 1/4W	
	R 806	QRE141J-471Y	C RESISTOR	470 5% 1/4W	
	R 807	QRE141J-471Y	C RESISTOR	470 5% 1/4W	
	R 808	QRE141J-102Y	C RESISTOR	1.0K 5% 1/4W	
	R 810	QRE141J-684Y	C RESISTOR	680K 5% 1/4W	
	R 811	QRE141J-105Y	C RESISTOR	1.0M 5% 1/4W	
	R 813	QRE141J-102Y	C RESISTOR	1.0K 5% 1/4W	
	R 814	QRE141J-102Y	C RESISTOR	1.0K 5% 1/4W	
	R 815	QRE141J-102Y	C RESISTOR	1.0K 5% 1/4W	
	R 816	QRE141J-102Y	C RESISTOR	1.0K 5% 1/4W	
	R 817	QRE141J-102Y	C RESISTOR	1.0K 5% 1/4W	
	R 818	QRE141J-102Y	C RESISTOR	1.0K 5% 1/4W	
	R 819	QRE141J-102Y	C RESISTOR	1.0K 5% 1/4W	
	R 820	QRE141J-102Y	C RESISTOR	1.0K 5% 1/4W	
	R 821	QRE141J-102Y	C RESISTOR	1.0K 5% 1/4W	
	R 822	QRE141J-102Y	C RESISTOR	1.0K 5% 1/4W	
	R 823	QRE141J-102Y	C RESISTOR	1.0K 5% 1/4W	
	R 824	QRE141J-102Y	C RESISTOR	1.0K 5% 1/4W	
	R 825	QRE141J-102Y	C RESISTOR	1.0K 5% 1/4W	
	R 826	QRE141J-102Y	C RESISTOR	1.0K 5% 1/4W	
	R 827	QRE141J-102Y	C RESISTOR	1.0K 5% 1/4W	
	R 828	QRE141J-102Y	C RESISTOR	1.0K 5% 1/4W	
	R 829	QRE141J-102Y	C RESISTOR	1.0K 5% 1/4W	
	R 830	QRE141J-102Y	C RESISTOR	1.0K 5% 1/4W	
	R 832	QRE141J-181Y	C RESISTOR	180 5% 1/4W	
	R 833	QRE141J-102Y	C RESISTOR	1.0K 5% 1/4W	
	R 834	QRE141J-102Y	C RESISTOR	1.0K 5% 1/4W	
	R 838	QRE141J-272Y	C RESISTOR	2.7K 5% 1/4W	
	R 839	QRE141J-332Y	C RESISTOR	3.3K 5% 1/4W	
	R 840	QRE141J-562Y	C RESISTOR	5.6K 5% 1/4W	

■ Electrical parts list (Conection board) Block No. 05

△	Item	Parts number	Parts name	Remarks	Area
	C 13	NCS31HJ-101X	CAPACITOR		
	CN 10	QGF0501F4-40X	FFC/FPC CONNECTOR		
	CN 11	QGF1016F2-04W	CONNECTOR		
	CN 12	QGF1012F1-30X	FPC CONNECTOR		
	IC 1	GP2S60B-X	IC(PHOTO COUPLER)		
	K 10	NQR0265-003X	F.BEADS C.M		
	K 11	NQR0265-003X	F.BEADS C.M		
	K 12	NQR0265-003X	F.BEADS C.M		
	K 13	NQR0265-003X	F.BEADS C.M		
	K 14	NQR0265-003X	F.BEADS C.M		
	K 15	NQR0265-003X	F.BEADS C.M		
	K 16	NQR0265-003X	F.BEADS C.M		
	K 17	NQR0265-003X	F.BEADS C.M		
	K 18	NQR0265-003X	F.BEADS C.M		
	R 10	NRSA63J-391X	MG.RESISTOR		
	R 11	NRSA63J-910X	MG.RESISTOR		
	R 12	NRSA63J-911X	MG.RESISTOR		
	S 10	QSW0620-001	REST SWITCH		
	S 11	NSW0127-001X	SLIDE SWITCH		

# Packing materials and accessories parts list



Block No. **M 4 M M**

Block No. **M 5 M M**

## ■ Packing parts list

Block No. M4MM

△	Item	Parts number	Parts name	Q'ty	Description	Area
	P 1	QPC06506515P	POLY BAG	1	SET	
	P 2	LE20590-001A	CUSHION(LEFT)	1	LEFT	B,EN,UN,US,UW
		LE20567-001A	CUSHION(F)	1	FRONT	UJ
	P 3	LE20591-001A	CUSHION(RIGHT)	1	RIGHT	B,EN,UN,US,UW
		LE20568-001A	CUSHION(R)	1	REAR	UJ
	P 4	LE30952-004A	CARTON BOX	1		B
		LE30952-005A	CARTON BOX	1		EN
		LE30952-001A	CARTON BOX	1		UJ
		LE30952-007A	CARTON BOX	1		UN,US
		LE30952-009A	CARTON BOX	1		UW
	P 5	LV31291-003A	PACKING SHEET	1		B

## ■ Accessories parts list

Block No. M5MM

△	Item	Parts number	Parts name	Q'ty	Description	Area
	A 1	LET0183004A	INST BOOK	1	EN	B
		LET0183006A	INST BOOK	1	GE,IT,SP,FR	EN
		LET0183003A	INST BOOK	1	EN	UJ
		LET0183009A	INST BOOK	1	CH,EN	UN,US
		LET0183014A	INST BOOK	1	EN,PR,SP	UW
	A 2	LE40805002B	INST SHEET	1		UJ,UN,US,UW
	A 3	LET0183007A	INST BOOK	1		EN
△	A 4	QMPP060-183-JD	POWER CORD	1		B
△		QMPL080-183-JC	POWER CORD	1		EN,UN,US,UW
△		QMPL150-183-JC	POWER CORD	1		UJ
	A 5	QPC02503510P	POLY BAG	1		B
△	A 6	QAM0112-001	AC PLUG ADAPTER	1		UJ,UN,US,UW
	A 7	BT-51020-2	J=REGIST CARD	1		UJ
	A 8	YU20333	SAFETY INST.	1		UJ
	A 9	VNA3000-204	REGIST.CARD	1		B
	A 10	QAM0328-001	AV CORD 3P	1		
	A 11	QAM0223-001	PLUG CORD	1		UJ,UN,US,UW
	A 12	RM-SXVM52E	REMOCON UNIT	1		B,EN
		RM-SXVM50J	REMOCON UNIT	1		UJ
		RM-SXVM52U	REMOCON UNIT	1		UN,US,UW
	A 13	-----	BATTERY	2		
	A 14	QPC02504015P	POLY BAG	1		